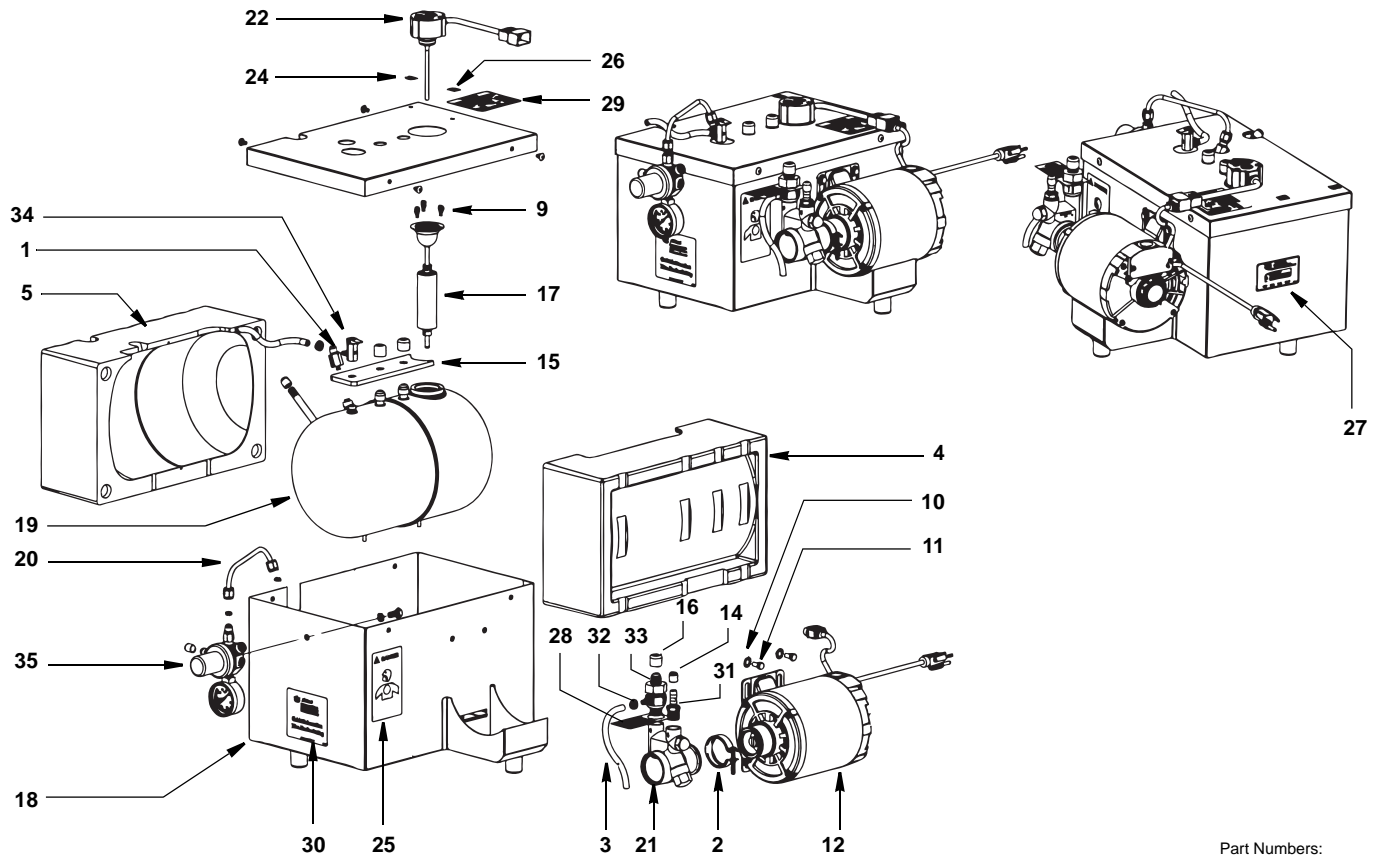




Carbonator Parts List for Models

E201397

E201397 PARTS LIST



Part Numbers:
E201397

DESCRIPTION

DESCRIPTION	PART NO.
1 Carbonator Single Check Valve, 1/4 Male Flare	00-0868
2 Carbonator V-band Clamp	00-1222
3 Clear Tubing, PVC 1/4 ID X 3/8 OD, Cut 12'	01-1649
4 Foam Insulation Right, Cold Carb.	01-1776
5 Foam Insulation Left, Cold Carb.	01-1777
6 Carton, Non Recirc, NO. DW (Not Shown)	07-0265
7 Carton, Insert for 07-0265, Top (Not Shown)	07-0347
8 Carton Insert for 07-0265, Bottom (Not Shown)	07-0348
9 Probe Stud	09-1877
10 Lock Washer 5/16, Ext. Tooth, Zinc Plated	10-0290
11 Bolt 1/4-20 X 1/2, Hex Head SS	10-0492
12 Motor, 115V, 1/3HP	10-1649
13 Adhesive Loctite 565 (Not Shown)	10-1651
14 Plug Cap, VC-375-8, Black	10-1877
15 Cold Carb Tank Gasket	10-1895
16 Cap Plug VC-600-8, Black, Vinyl	10-2006
17 115 220V, Probe, Float Ring Assembly	15-1951
18 Cold Carb Single Motor Box Assembly	15-2972
19 Carbonator Tank Assembly, Weld Complete Cold Carb Non Recirculating	15-3095
20 Tubing & Nut Assembly, 114 OD. X .02 Wall 304L SS X 7116 Swivel Nut	15-3197
21 Brass Rotary Vane Pump, 125 GPH.	16-0165
22 Probe Assembly, 115V Electrical Black Cap	16-2115-41
23 Installation Instruction, Carbonator & Probe (Not Shown)	17-0500
24 Decal Inspection Sticker 11 Thru 25	18-1075
25 Decal Carbonator Tank, "WARNING" CO2	18-1339
26 Decal Test Sticker	18-1368
27 Label Model / Serial Number, Econo Booster #16-3172.	18-1459
28 Tag, ABF-1	18-1571
29 Label Cold Carb "WARNING" & Connections.	18-1609
30 Label Cold Carb Non Recirculating	18-1639
31 Fitting, 3/8 Barb X 3/8 MNPT, Brass	19-0589
32 Clamp, 13/32 ID, Oetiker, Stepless, No. 10.5-SOSR	19-0676
33 ASSE 1022, Backflow Preventer	19-0897
34 Valve Pressure Relief 125 PSI w/Barb	19-0898
35 Regulator, 75 PSI Preset w/Gauge.	99-1124