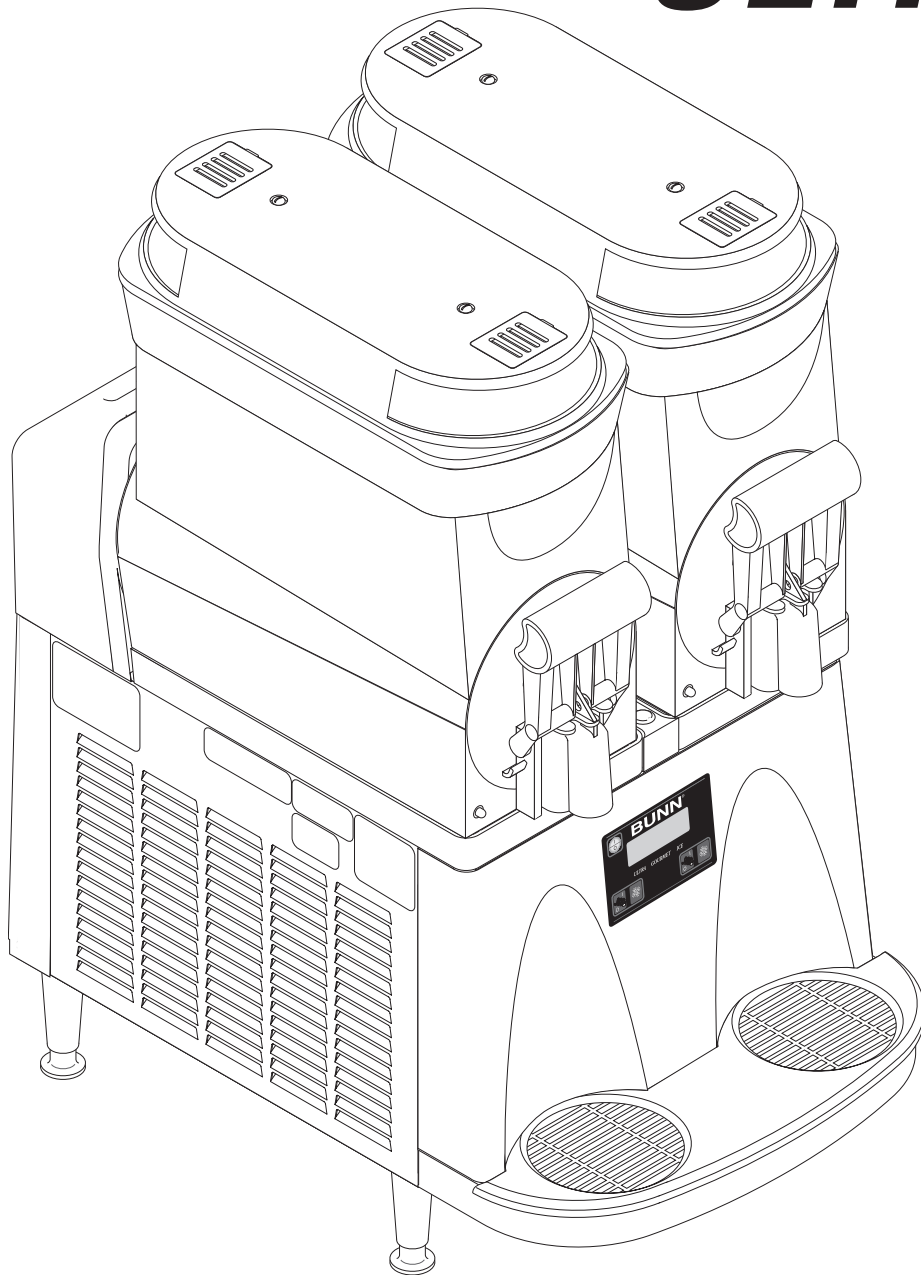


---

# BUNN®

# ULTRA-2



## ILLUSTRATED PARTS CATALOG

Designs, materials, weights, specifications, and dimensions for equipment or replacement parts are subject to change without notice.

**BUNN-O-MATIC CORPORATION**

POST OFFICE BOX 3227

SPRINGFIELD, ILLINOIS 62708-3227

PHONE: (217) 529-6601 FAX: (217) 529-6644



## BUNN-O-MATIC COMMERCIAL PRODUCT WARRANTY

Bunn-O-Matic Corp. ("BUNN") warrants equipment manufactured by it as follows:

- 1) Airpots, thermal carafes, decanters, GPR servers, iced tea/coffee dispensers, MCR/MCP/MCA single cup brewers, thermal servers and ThermoFresh® servers (mechanical and digital) 1 year parts and 1 year labor.
- 2) All other equipment - 2 years parts and 1 year labor plus added warranties as specified below:
  - a) Electronic circuit and/or control boards - parts and labor for 3 years.
  - b) Compressors on refrigeration equipment - 5 years parts and 1 year labor.
  - c) Grinding burrs on coffee grinding equipment to grind coffee to meet original factory screen sieve analysis - parts and labor for 4 years or 40,000 pounds of coffee, whichever comes first.

These warranty periods run from the date of installation BUNN warrants that the equipment manufactured by it will be commercially free of defects in material and workmanship existing at the time of manufacture and appearing within the applicable warranty period. This warranty does not apply to any equipment, component or part that was not manufactured by BUNN or that, in BUNN's judgment, has been affected by misuse, neglect, alteration, improper installation or operation, improper maintenance or repair, non periodic cleaning and descaling, equipment failures related to poor water quality, damage or casualty. In addition, the warranty does not apply to replacement of items subject to normal use including but not limited to user replaceable parts such as seals and gaskets. This warranty is conditioned on the Buyer 1) giving BUNN prompt notice of any claim to be made under this warranty by telephone at (217) 529-6601 or by writing to Post Office Box 3227, Springfield, Illinois 62708-3227; 2) if requested by BUNN, shipping the defective equipment prepaid to an authorized BUNN service location; and 3) receiving prior authorization from BUNN that the defective equipment is under warranty.

**THE FOREGOING WARRANTY IS EXCLUSIVE AND IS IN LIEU OF ANY OTHER WARRANTY, WRITTEN OR ORAL, EXPRESS OR IMPLIED, INCLUDING, BUT NOT LIMITED TO, ANY IMPLIED WARRANTY OF EITHER MERCHANTABILITY OR FITNESS FOR A PARTICULAR PURPOSE.** The agents, dealers or employees of BUNN are not authorized to make modifications to this warranty or to make additional warranties that are binding on BUNN. Accordingly, statements by such individuals, whether oral or written, do not constitute warranties and should not be relied upon.

If BUNN determines in its sole discretion that the equipment does not conform to the warranty, BUNN, at its exclusive option while the equipment is under warranty, shall either 1) provide at no charge replacement parts and/or labor (during the applicable parts and labor warranty periods specified above) to repair the defective components, provided that this repair is done by a BUNN Authorized Service Representative; or 2) shall replace the equipment or refund the purchase price for the equipment.

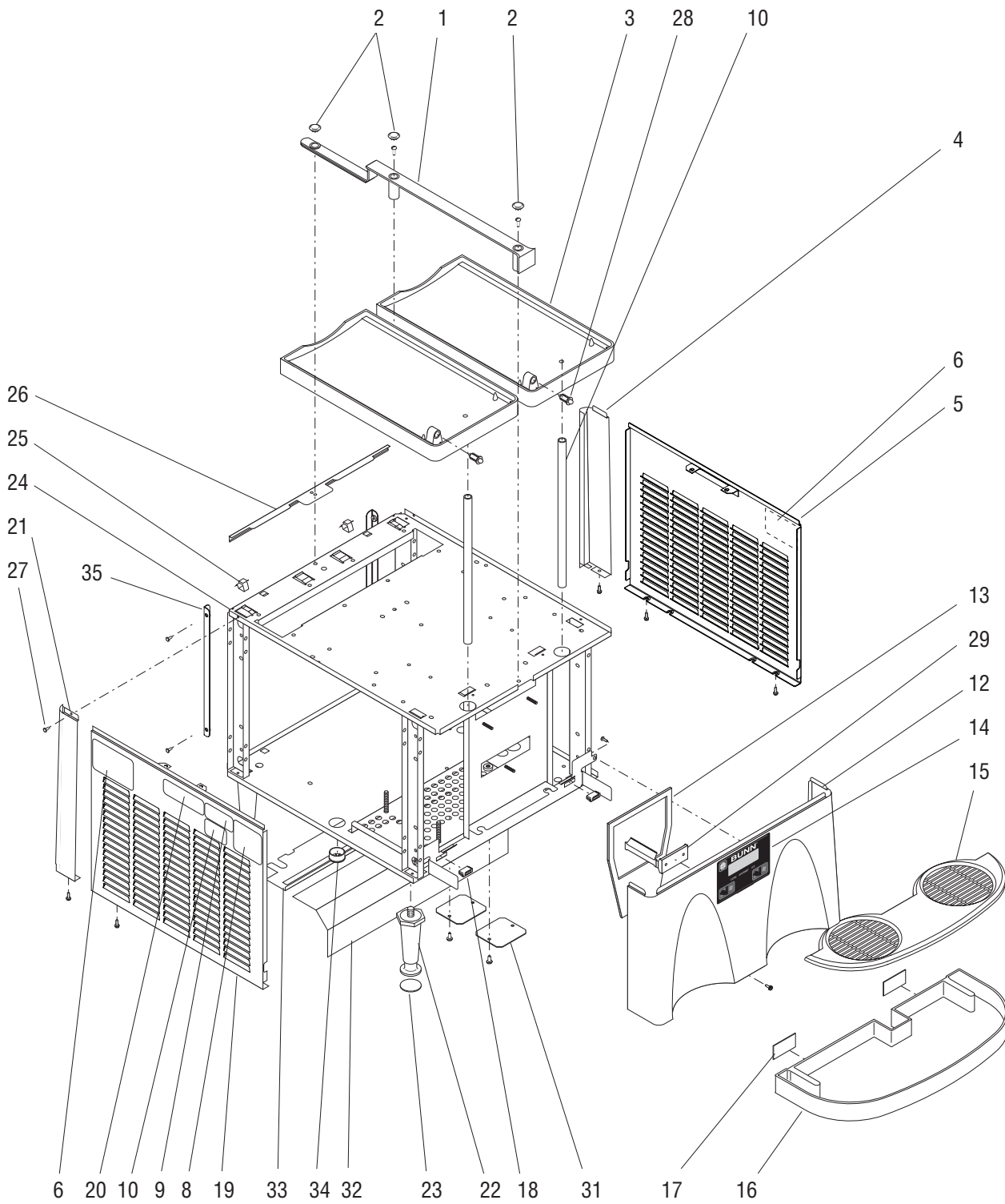
**THE BUYER'S REMEDY AGAINST BUNN FOR THE BREACH OF ANY OBLIGATION ARISING OUT OF THE SALE OF THIS EQUIPMENT, WHETHER DERIVED FROM WARRANTY OR OTHERWISE, SHALL BE LIMITED, AT BUNN'S SOLE OPTION AS SPECIFIED HEREIN, TO REPAIR, REPLACEMENT OR REFUND.**

In no event shall BUNN be liable for any other damage or loss, including, but not limited to, lost profits, lost sales, loss of use of equipment, claims of Buyer's customers, cost of capital, cost of down time, cost of substitute equipment, facilities or services, or any other special, incidental or consequential damages.

392, A Partner You Can Count On, Air Infusion, AutoPOD, AXIOM, BrewLOGIC, BrewMETER, Brew Better Not Bitter, BrewWISE, BrewWIZARD, BUNN Espresso, BUNN Family Gourmet, BUNN Gourmet, BUNN Pour-O-Matic, BUNN, BUNN with the stylized red line, BUNNlink, Bunn-O-Matic, Bunn-O-Matic, BUNNserve, BUNNSERVE with the stylized wrench design, Cool Froth, DBC, Dr. Brew stylized Dr. design, Dual, Easy Pour, EasyClear, EasyGard, FlavorGard, Gourmet Ice, Gourmet Juice, High Intensity, iMIX, Infusion Series, Intellisteam, My Café, Phase Brew, PowerLogic, Quality Beverage Equipment Worldwide, Respect Earth, Respect Earth with the stylized leaf and coffee cherry design, Safety-Fresh, savemycoffee.com, Scale-Pro, Silver Series, Single, Smart Funnel, Smart Hopper, SmartWAVE, Soft Heat, SplashGard, The Mark of Quality in Beverage Equipment Worldwide, ThermoFresh, Titan, trifacta, TRIFECTA (stylized logo), Velocity Brew, Air Brew, Beverage Bar Creator, Beverage Profit Calculator, Brew better, not bitter., Build-A-Drink, BUNNSource, Coffee At Its Best, Cyclonic Heating System, Daypart, Digital Brewer Control, Element, Milk Texturing Fusion, Nothing Brews Like a BUNN, Picture Prompted Cleaning, Pouring Profits, Signature Series, Sure Tamp, Tea At Its Best, The Horizontal Red Line, Ultra are either trademarks or registered trademarks of Bunn-O-Matic Corporation. The commercial trifacta® brewer housing configuration is a trademark of Bunn-O-Matic Corporation.

## TABLE OF CONTENTS

Auger Drive and Cooling Drum.....	20
Compressor and Mounting.....	26, 28,30
Condenser and Fan Mounting.....	24
Electrical and Operating Controls .....	40
Frame, Panels and Drip Tray.....	4
Hopper, Cover and Faucet.....	8
Internal Liquid Autofill Kit (Optional) .....	38
Numerical Index .....	44
PAF Platform Assembly (Early Models).....	10
PAF Platform Assembly (Late Models) .....	14
Solenoid and Coolant Piping .....	32, 34, 36
Liquid Autofill (LAF CF) Kit .....	18

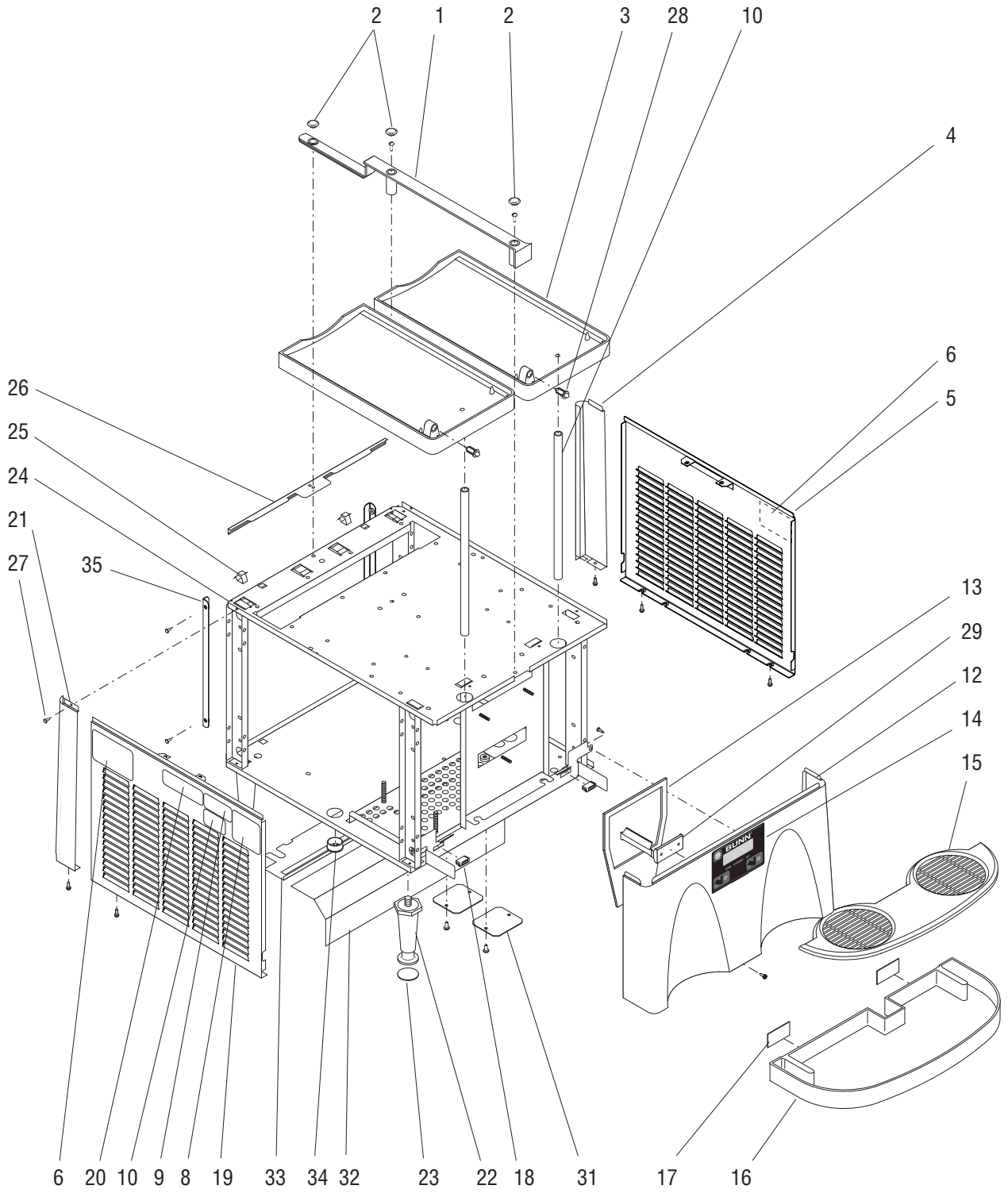


## FRAME, PANELS AND DRIP TRAYS

ITEM	PART NO.	QTY.	DESCRIPTION
1	27136.0002	1	Trim, Hopper/Drip Tray - WHI
	27136.0003	1	Trim, Hopper/Drip Tray - BLK
	02329.0000	2	Screw, Round Head - Locking #8-32 x .312"
2	27394.0000	3	Plug, Plastic - WHI
	27394.0001	3	Plug, Nylon - BLK
3	32111.0000	1	Drip Tray, Left Hopper - WHI
	32111.0001	1	Drip Tray, Left Hopper - BLK
	32111.0002	1	Drip Tray, Right Hopper - WHI
	32111.0003	1	Drip Tray, Right Hopper - BLK
	01311.0001	8	Screw, Truss Head - Locking #8-32 x .25"
4	27058.0000	1	Corner, Right Rear - SST (without Filter Stop)
	27058.0002	1	Corner, Right Rear - BLK (without Filter Stop)
	27058.0010	1	Corner, Right Rear - SST (with Filter Stop)
	27058.0014	1	Corner, Right Rear - BLK (with Filter Stop)
	32580.0000	1	Screw, Hex Head #6-32 x .25"
5	36182.1004	1	Panel W/Decals, Right Side - SST
	36182.1005	1	Panel W/Decals, Right Side - BLK
	32580.0000	2	Screw, Hex Head #6-32 x .25"
			} Each includes items 6,8,9,&10
6	27442.0000	2	Decal, Warning - Moving Parts
7	32082.0002	1	Schematic, Electrical 120V (ULTRA-2)
	32082.0004*	1	Schematic, Electrical 100V (ULTRA-2B)
			} Early Models
8	00986.0002	1	Decal, Warning - Electrical
9	51696.0000	1	Decal, Caution - Two Power Cords
10	29979.0000	1	Decal, Room Temperature
11	-----	2	Tube, Drain .375" I.D. x .50" O.D. x 10.50" (Order item 37)
12	32116.1000	1	Panel, Front - SST (Includes items 13,14 & 29)
	32116.1001	1	Panel, Front - BLK (Includes items 13,14 & 29)
	32580.0000	1	Screw, Hex Head #6 x .25"
	02308.0000	2	Screw, Pan Head Serrated #8-32 x .375"
13	29967.1002	1	Gasket, Electronic Box
14	32126.1004	1	Membrane Switch - BLK
15	32068.0000	1	Cover, Lower Drip Tray - WHI
	32068.0001	1	Cover, Lower Drip Tray - BLK
16	28086.0000	1	Drip Tray, Lower - WHI (Includes item 17)
	28086.0001	1	Drip Tray, Lower - BLK (Includes item 17)
17	21437.1000	2	Strike Assy, Self Adhesive
18	21436.0000	2	Catch, Magnetic

(Continued)

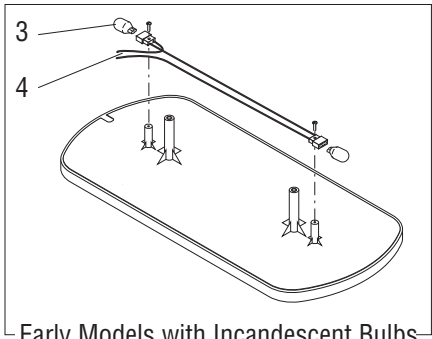
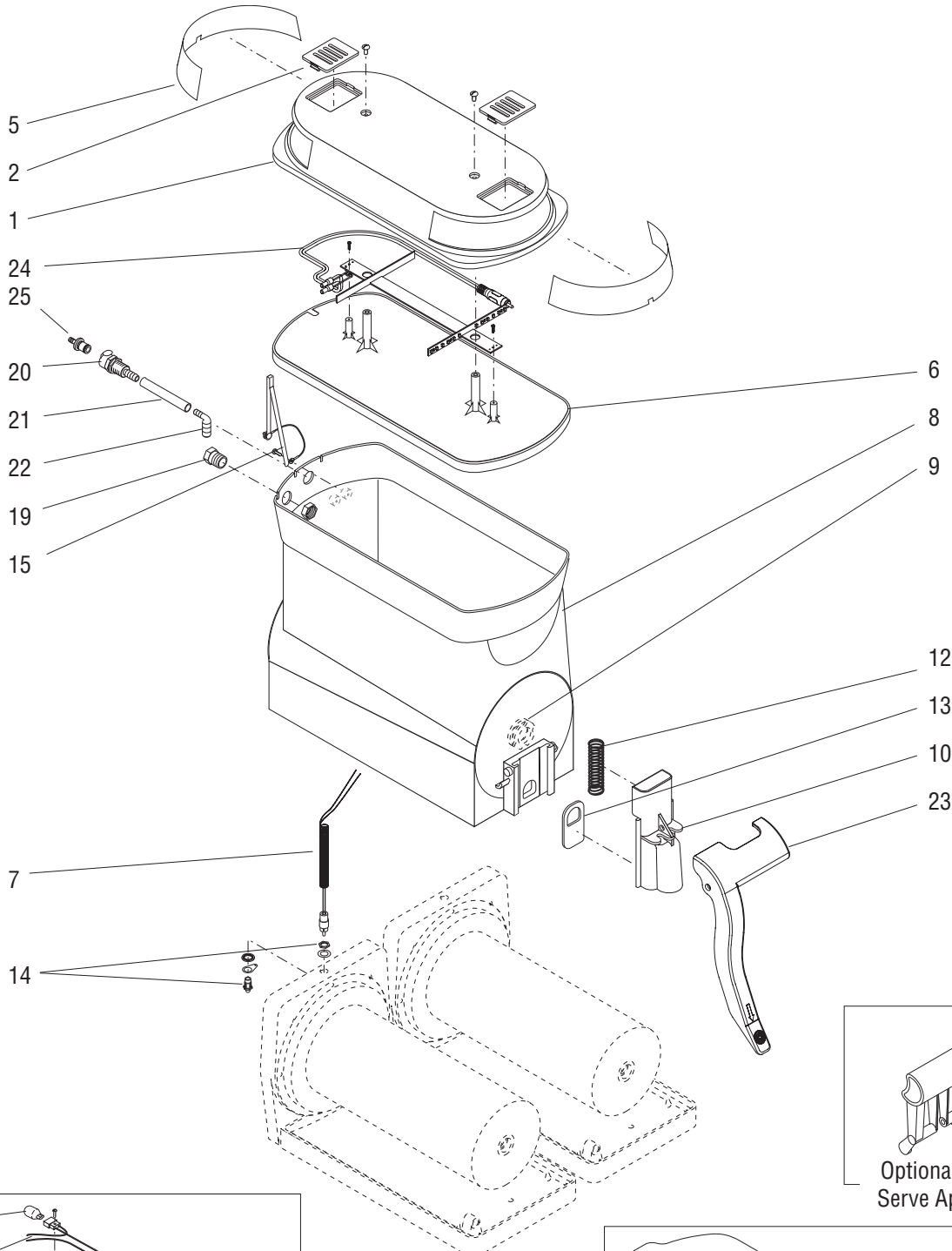
(Continued)



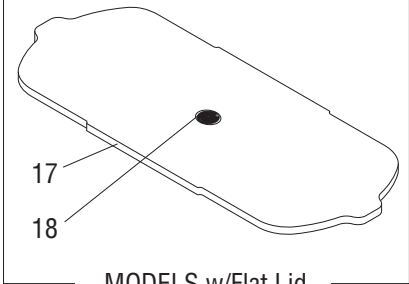
## FRAME, PANELS AND DRIP TRAYS

ITEM	PART NO.	QTY.	DESCRIPTION	
19	36182.1006	1	Panel W/Decals, Left Side - SST	} Each includes item 6
	36182.1007	1	Panel W/Decals, Left Side - BLK	
	32580.0000	2	Screw, Hex Head #6-32 x .25"	
20	29373.0001	1	Decal, Coolant Charge	
21	27058.0001	1	Corner, Left Rear - SST (without Filter Stop)	
	27058.0003	1	Corner, Left Rear - BLK (without Filter Stop)	
	27058.0011	1	Corner, Left Rear - SST (with Filter Stop)	
	27058.0015	1	Corner, Left Rear - BLK (with Filter Stop)	
	32580.0000	1	Screw, Hex Head #6 x .25"	
22	26528.0000	4	Leg, Black Plastic - 4" Adj. (See item 36)	
	03354.0000	4	Leg, Black Plastic - 2.5" Adj. (See item 36)	
23	03996.0000	4	Pad, Rubber - 4" Adj. Legs (See item 36)	
	03993.0000	4	Pad, Rubber - 2.5" Adj. Legs (See item 36)	
24	32124.0000	1	Frame, Base (Models with AMERICOLD compressors)	
	32793.0000	1	Frame, Base (Models with EMBRACO compressors)	
	37906.0002	1	Frame, Base (Models with EMBRACO compressors - Internal Autofill Ready)	
	37906.0006	1	Frame, Base (Models with EMBRACO compressors)(Salt Air Resistant)	
25	00927.0000	4	Clip, Spring	
	00927.0001	4	Clip, Spring (Salt Air Resistant)	
26	27131.0000	1	Trim, Frame - Rear - SST	
	27131.0001	1	Trim, Frame - Rear - BLK	
27	28098.0000	2	Fastener, Snap-in	
28	29702.1000	2	Plunger Assy, Hopper Lock	
29	29976.0000	1	Mount, Cable	
30	29959.0001	1	Decal, Cleaning Instructions 120V (ULTRA-2)	} Early Models
	29959.0002	1	Decal, Cleaning Instructions 230V (ULTRA-2A)	
	29959.8002	1	Decal, Cleaning Instructions Spanish 120V (ULTRA-2)	
31	37883.0000	2	Cover, Hole (Internal Autofill Ready)	
	37883.0000	2	Cover, Hole (Internal Autofill Ready)(Salt Air Resistant)	
	01382.0000	4	Screw, Truss Head #6-32 x .38"	
32	36187.0000	1	Vinyl Deflector	
33	36188.0000	1	Bracket	
34	20622.0005	1	Bushing	
35	43136.0000	2	Bracket, Filter Stop SST	
	43136.0001	2	Bracket, Filter Stop BLK	
	02335.0001	4	Screw, Hex #8 x .38"	
36	13255.0003	-	Leg Kit, 4" Adj. Legs (Includes 4 Legs and Pads)	} Not Illustrated
	13255.0006	-	Leg Kit, 2.5" Adj. Legs (Includes 4 Legs and Pads)	
37	12421.1001	-	Tube, Clear Vinyl (12" Long)	} Not Illustrated
	12421.1002	-	Tube, Clear Vinyl (60" Long)	
	12421.1003	-	Tube, Clear Vinyl (120" Long)	

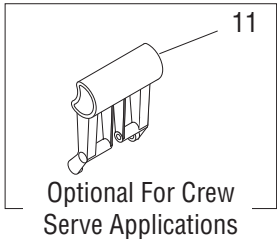




Early Models with Incandescent Bulbs



MODELS w/Flat Lid



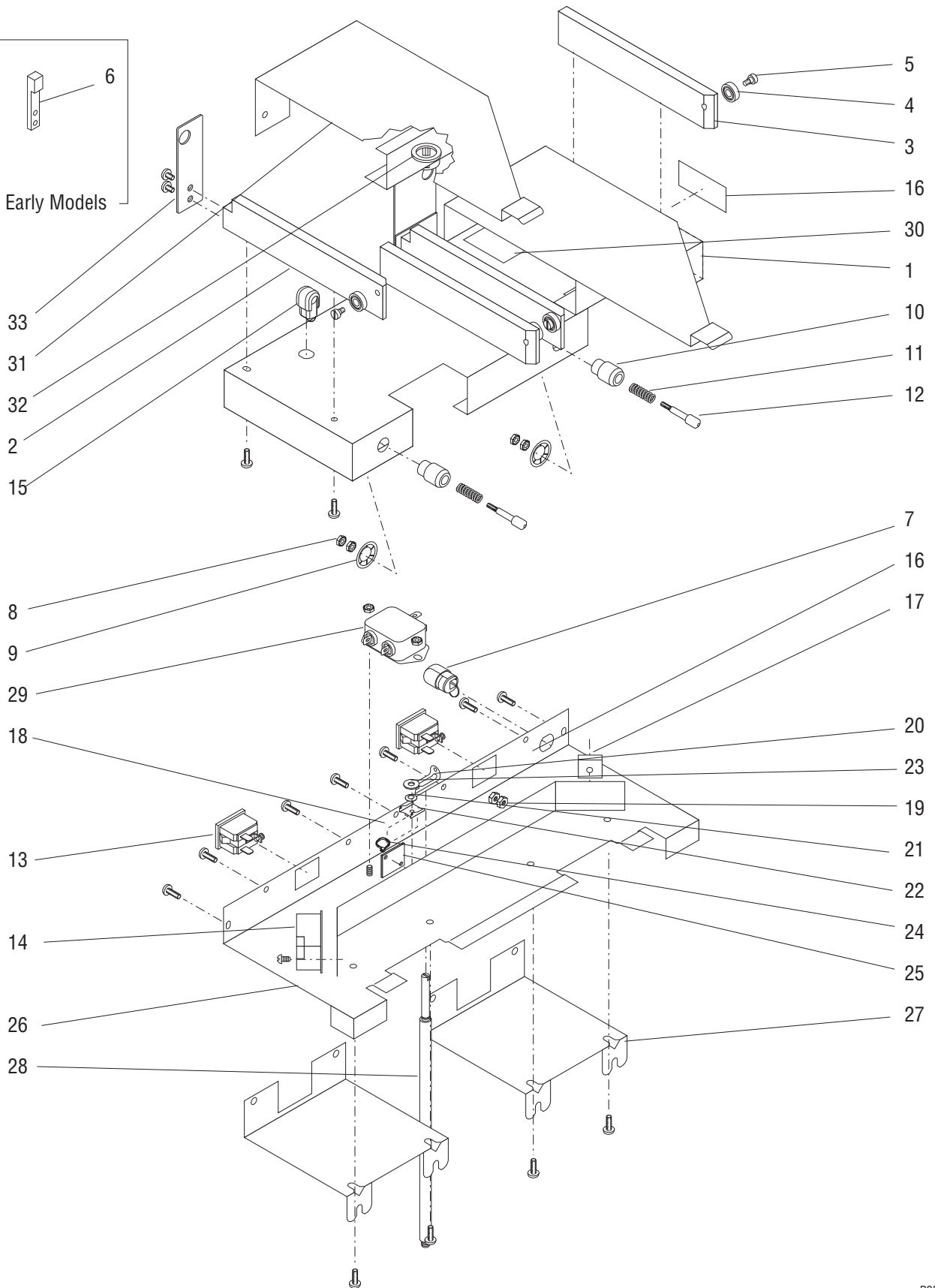
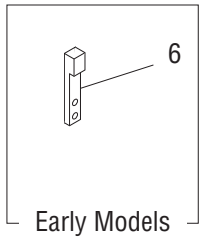
Optional For Crew Serve Applications



## HOPPER, COVER AND FAUCET

ITEM	PART NO.	QTY.	DESCRIPTION
-	32069.1000	2	Cover Assembly, Hopper, WHI (Includes items 1 thru 7)(Incandescent Bulb)
	32069.1001	2	Cover Assembly, Hopper, BLK (Includes items 1 thru 7)(Incandescent Bulb)
	47315.1000	2	Cover Assembly, Hopper, WHI (Includes items 1,2,5,6,7, and 24)(LED Lights)
	47315.1001	2	Cover Assembly, Hopper, BLK (Includes items 1,2,5,6,7, and 24)(LED Lights)
1	32196.0000	2	Cover, Hopper - WHI
	32196.0001	2	Cover, Hopper - BLK
	01315.0000	4	Screw, Truss Head #8-32 x .38"
2	32105.0000	4	Insert, Hopper Lid Vent - WHI
	32105.0001	4	Insert, Hopper Lid Vent - BLK
3	27446.0000	4	Lamp, T-5 Wedge Base
4	27445.1000	2	Lamp Holder/Socket Assy (Includes two of item 16)
	32096.0001	4	Screw, Pan Head #2-56 x .50"
5	32266.0000	4	Insert, Hopper Display
6	32195.0000	2	Liner Assy, Hopper Cover
7	32267.1000	2	Cord Assy, Lamp (Includes two of item 16)
8	32190.1000	2	Hopper Assy. (Includes item 9)
	32190.1001	2	Hopper Assy. (For Models with PAF) (Includes item 9)
	32190.1003	2	Hopper Assy. (For Models Internal Autofill Ready or AFPO) (Includes item 9)
	32190.1005	2	Hopper Assy. (For Models LAF CF) (Includes item 9)
9	32189.0000	2	Bushing, Auger Nose
10	32191.0000	2	Faucet - WHI
11	32265.0001	2	Handle, Faucet - BLK (Optional for Crew Serve Applications)
12	32193.0000	2	Spring, Faucet
13	32268.1000	1	Seal Kit (Includes 2 seals)
	32268.1001	1	Seal Kit (Includes 1 seal)
14	27643.1000	2	Connector Assy (Includes Nut, Washer, Leads & Plug)
	39967.0000	2	Washer, SST
	01532.0001	2	Lockwasher, Internal-tooth .375"
15	32916.0002	2	Tether/Probe Kit (For Models with PAF)
	39257.0000	2	Tether/Probe Kit (For Models Autofill Ready)
	01393.0000	2	Screw, Truss Head #6 x .25"
16	03851.0000	4	Wire Nut (Not Illustrated)
17	29481.0001	1	Cover, Flat (Includes item 18)
18	00778.0000	1	Decal, BUNN
19	28776.0001	4	Plug (Two less used on Liquid Autofill with No Water lines)
	24566.0000	4	Nut
20	28756.1000	4	Fitting, Quick Disconnect
21	28755.0003*	4	Tube, Norprene .25" ID x 1.25"
22	28770.0000	4	Elbow .25" Barb x .50" Barb
23	44614.1000	2	Handle (Low Level Access)
24	46331.0001	1	LED & Cord Assy
	32096.0002	2	Screw, Pan Head #2-28 x .38"
25	38021.0000	1	Fitting, Quick Disconnect, .25" Male
	42921.0000	1	Fitting, Quick Disconnect, .38" Male

Internal Autofill  
Ready Models

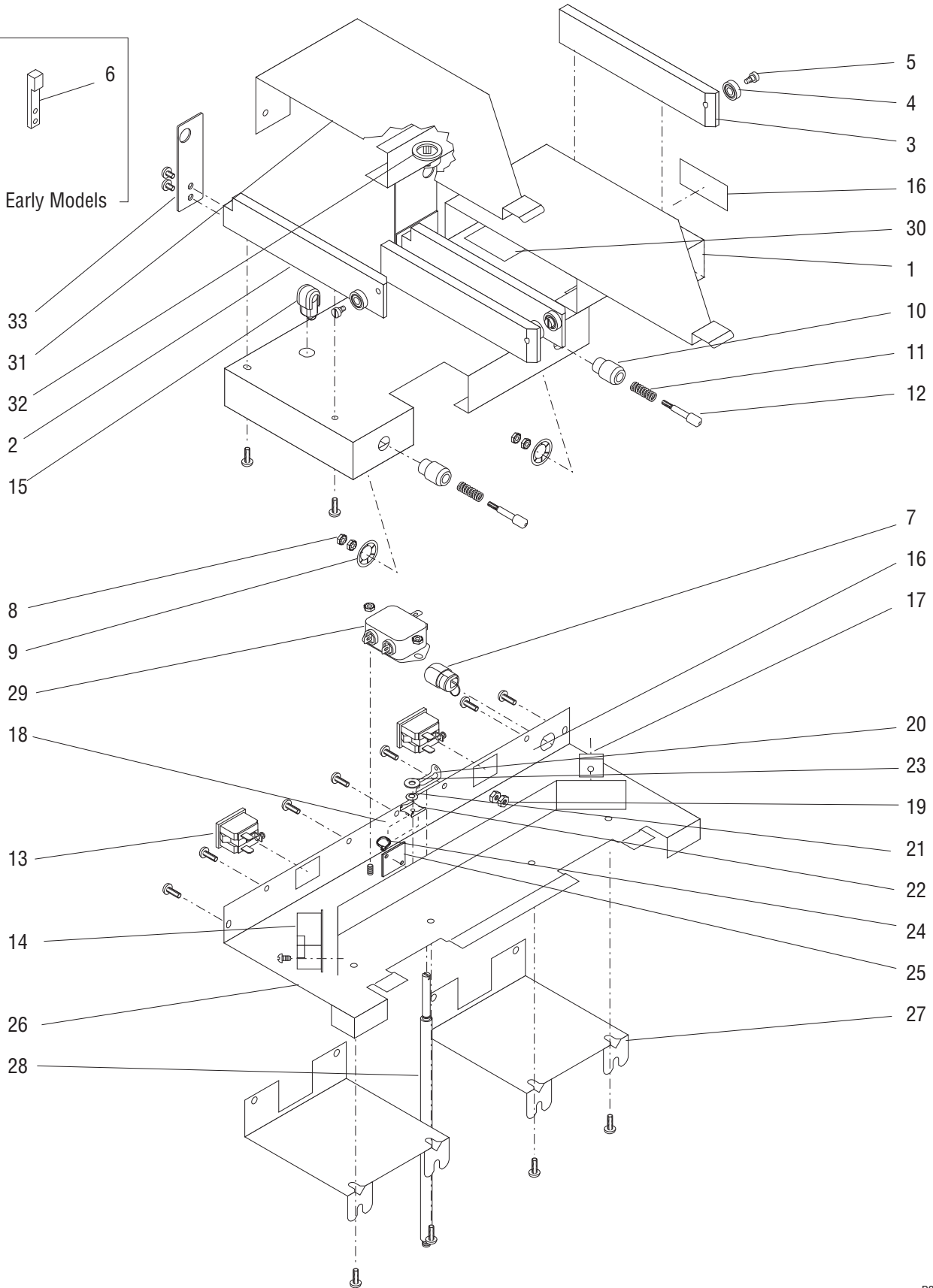
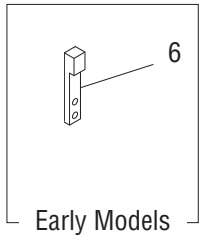


## PAF PLATFORM ASSEMBLY (Early Models)

ITEM	PART NO.	QTY.	DESCRIPTION
-	29941.1000	1	Platform Assy. 120V SST (Includes items 1 thru 28 and 30 thru 34)
-	29941.1001	1	Platform Assy. 120V BLK (Includes items 1 thru 28 and 30 thru 34)
-	29941.1002	1	Platform Assy. 230V SST (Includes items 1 thru 34)
-	29941.1003	1	Platform Assy. 230V BLK (Includes items 1 thru 34)
1	29940.1000	1	Housing w/Decals SST (Includes item 16)
	29940.1002	1	Housing w/Decals BLK (Includes items 16 and 30)
2	29591.0001	2	Guide Rail RH
	01330.0000	4	Screw #10-32 x .38"
3	29591.0002	2	Guide Rail LH
	01330.0000	4	Screw #10-32 x .38"
4	29724.0000	4	Roller
5	24457.0001	4	Shoulder Bolt
	01522.0001	4	Washer
6	32632.0000	2	Latch (Early Models)
	01311.0001	4	Screw, Truss Head Locking #8-32 x .25"
7	01666.0002	1	Bushing, Relief (120V)
	05746.0000	1	Bushing, Relief (230V)
8	00906.0000	4	Nut
9	29742.0000	2	Retainer
10	29726.0000	2	Housing, Spring Contact
11	27788.0000	2	Spring
12	27748.0000	2	Pin
13	03628.0000	2	Receptacle 120V
	32197.0000	2	Receptacle 230V
14	32104.0000	1	Relay, Lighting
	01382.0000	2	Screw, Truss Head #6-32 x .38"
15	00707.0000	1	Bushing, Relief
16	51696.0000	1	Decal, Dual Power Cord
17	22126.0000	1	Rectifier
	00908.0000	1	Nut #8-32
18	29844.0000*	1	Decal, Receptacle - PAF Only
	29844.0001	1	Decal, Receptacle - PAFA Only
19	00908.0000	2	Nut, Grounding Stud
20	33524.0000	1	Latch, Support Rod
21	33527.0000	1	Washer
22	33525.0000	1	Guide
23	01521.0000	1	Washer

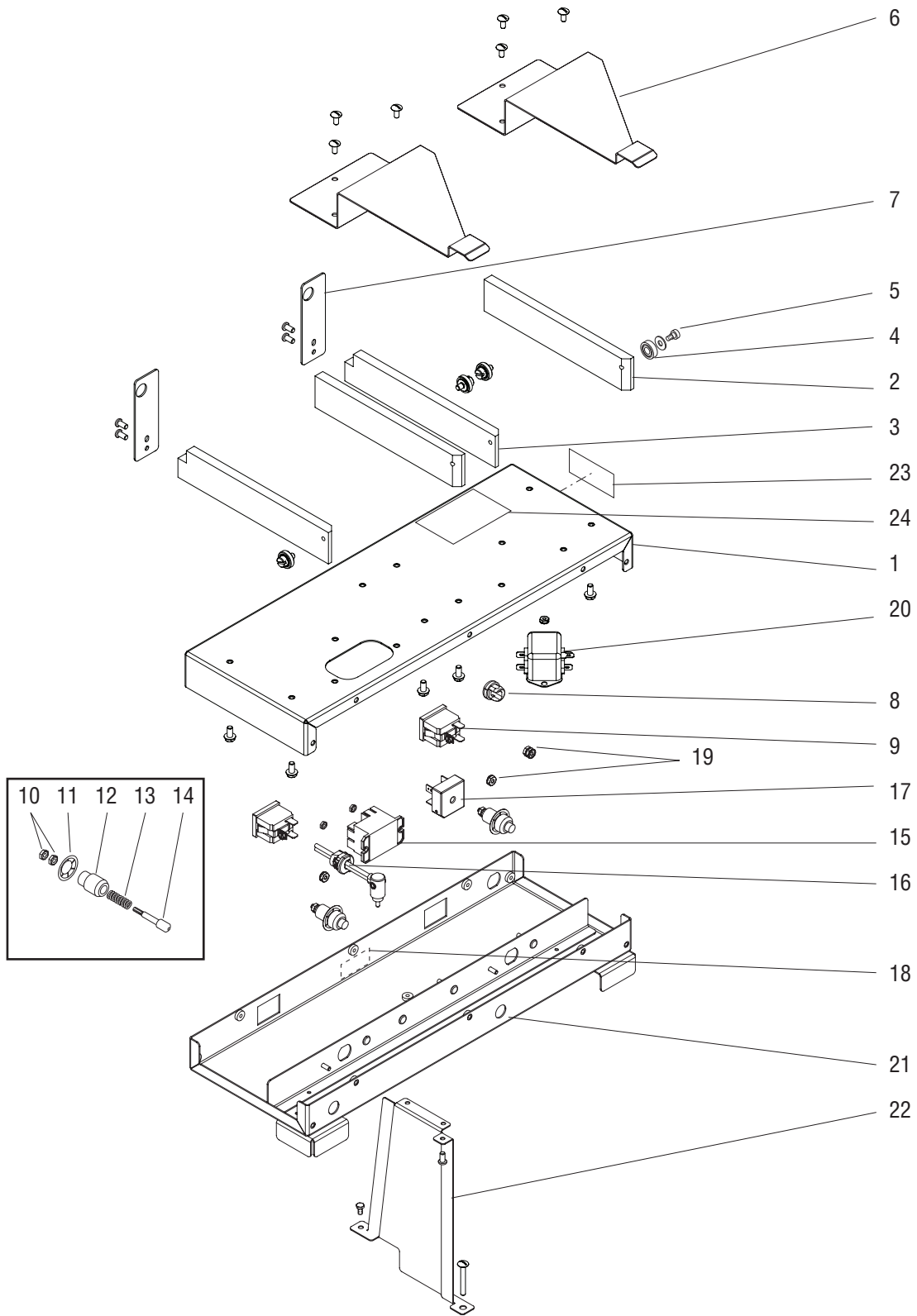
(Continued)

(Continued)



## PAF PLATFORM ASSEMBLY (Early Models)

ITEM	PART NO.	QTY.	DESCRIPTION	
24	00617.0000	1	Cable Tie	
25	22749.0000	1	Mounting Pad, Cable Tie	
26	29943.1000	1	Cover, Bottom SST (120V)(Includes item 18)	
	29943.1001	1	Cover, Bottom BLK (120V)(Includes item 18)	
	29943.0002	1	Cover, Bottom SST (230V)	
	29943.0003	1	Cover, Bottom BLK (230V)	
	01315.0000	7	Screw, SST, Truss Head #8-32 x .38"	
	02322.0002	7	Screw, BLK, Truss Head #8-32 x .38"	
27	29942.0000*	2	Bracket SST	
	29942.0001	2	Bracket BLK	
	01317.0000	4	Screw, Truss Head #8-32 x .50"	
28	29936.0000	1	Rod, Support	
29	29446.0001	1	EMI Filter (230V)	
	00908.0000	2	Nut #8-32	
30	00986.0002	1	Decal, Electrical Warning	
31	34573.0000*	2	Latch Bracket	} Late Models
32	01663.0000	2	Bushing, Snap	
33	34575.0000*	2	Plate, Guide	
	01311.0001	4	Screw, Truss Head Locking #8-32 x .25"	
34	20630.0007	1	Power Cord (120V)	} Not Illustrated
	28111.0005	1	Power Cord (230V)	
	32212.0001	1	Power Cord (230V EURO)	
35	29948.0000	1	Harness, Main (120V)	
	29948.0001	1	Harness, Main (230V)	
36	32267.1000	1	Lamp Cord (Includes item 34)	
37	29763.0000	2	Resister, Probe Detector	
38	03851.0000	2	Wire Nut	



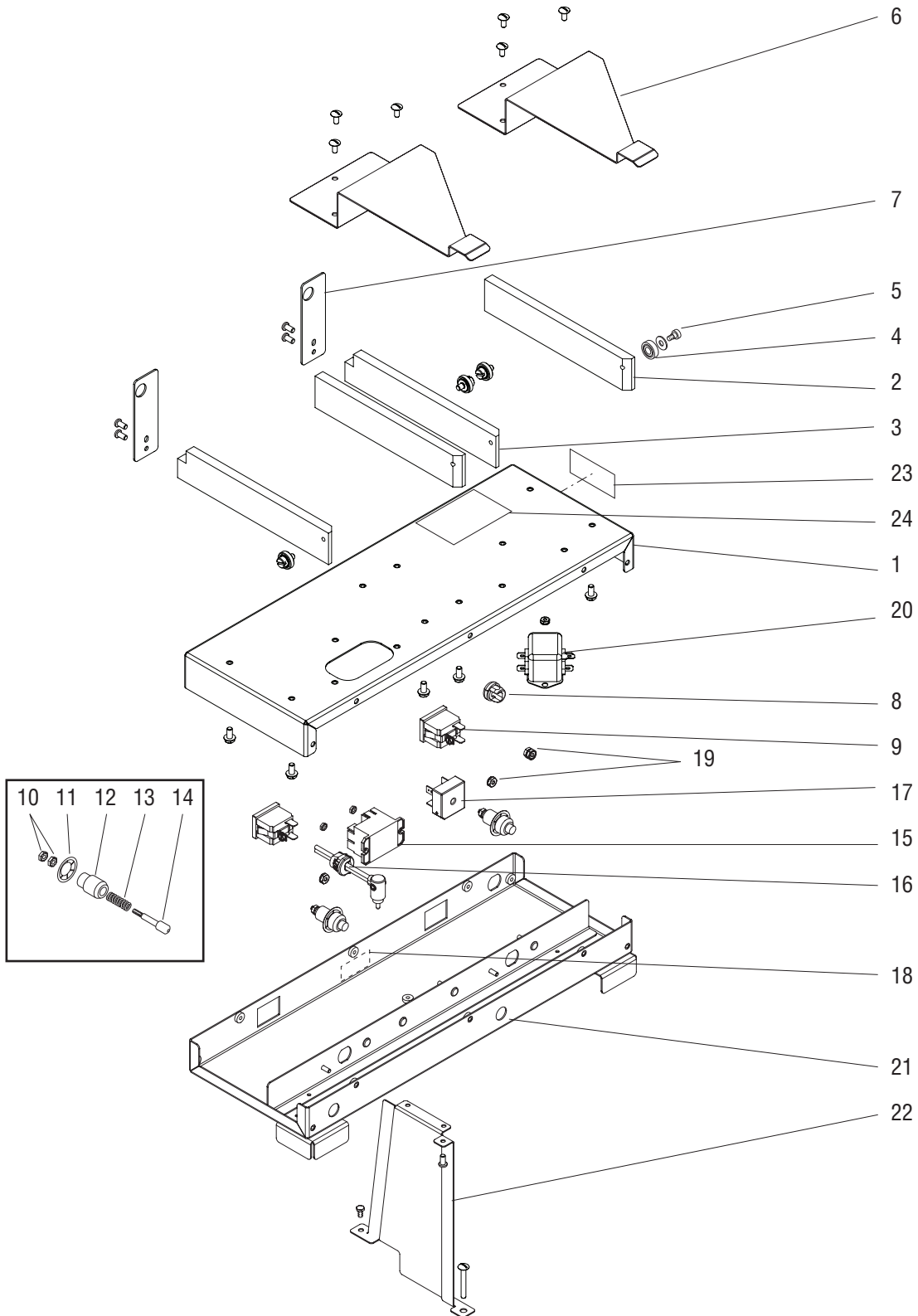
## PAF PLATFORM ASSEMBLY (Late Models)

ITEM	PART NO.	QTY.	DESCRIPTION
1	47237.0000	1	Cover SST (Includes item 23)
	47237.0001	1	Cover BLK (Includes item 23)
2	29591.0001	2	Guide Rail RH
	01330.0000	4	Screw #10-32 x .38"
3	29591.0002	2	Guide Rail LH
	01330.0000	4	Screw #10-32 x .38"
4	29724.0000	4	Roller
5	24457.0001	4	Shoulder Bolt
	01522.0001	4	Washer
6	47245.0000	2	Latch
	01315.0000	6	Screw, Truss Head #8-32 x .38"
7	34575.0001	2	Plate, Retainer
	02322.0002	4	Screw, Truss Head BLK #8-32 x .38"
8	00707.0000	1	Bushing, Relief (120V)
	05746.0000	1	Bushing, Relief (230V)
9	03628.0000	2	Receptacle 120V
	32197.0000	2	Receptacle 230V
10	00906.0000	4	Nut
11	29742.0000	2	Retainer
12	29726.0001	2	Housing, Spring Contact
13	27788.0000	2	Spring
14	27748.0000	2	Pin
15	32104.0000	1	Relay, Lighting
	00973.0001	2	Nut, keps #6-32
16	47280.0001	1	Bushing, Relief
17	22126.0000	1	Rectifier
	00973.0001	1	Nut, keps #6-32
18	29844.0000*	1	Decal, Receptacle - PAF Only
	29844.0001	1	Decal, Receptacle - PAFA Only
19	00973.0001	4	Nut, Grounding Stud
20	29446.0009	1	EMI Filter (230V)
	00973.0001	1	Nut, keps #6-32
21	47243.0000	1	Base, Housing SST (120V)(Includes item 18)
	47243.0001	1	Base, Housing BLK (120V)(Includes item 18)
	47243.0002	1	Base, Housing SST (230V)
	47243.0003	1	Base, Housing BLK (230V)
	01315.0000	10	Screw, SST, Truss Head #8-32 x .38"
	02322.0002	10	Screw, BLK, Truss Head #8-32 x .38"

(Continued)



(Continued)

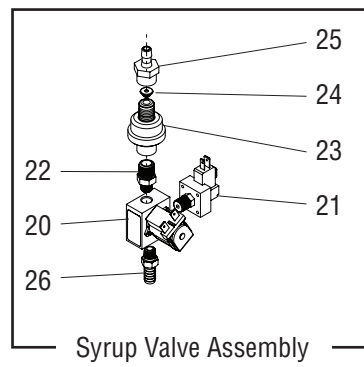
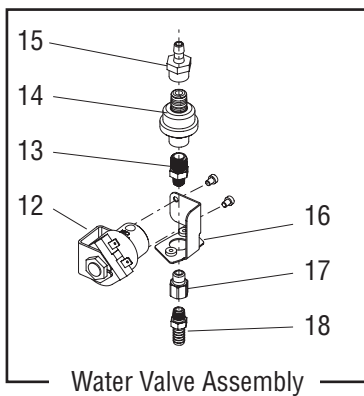
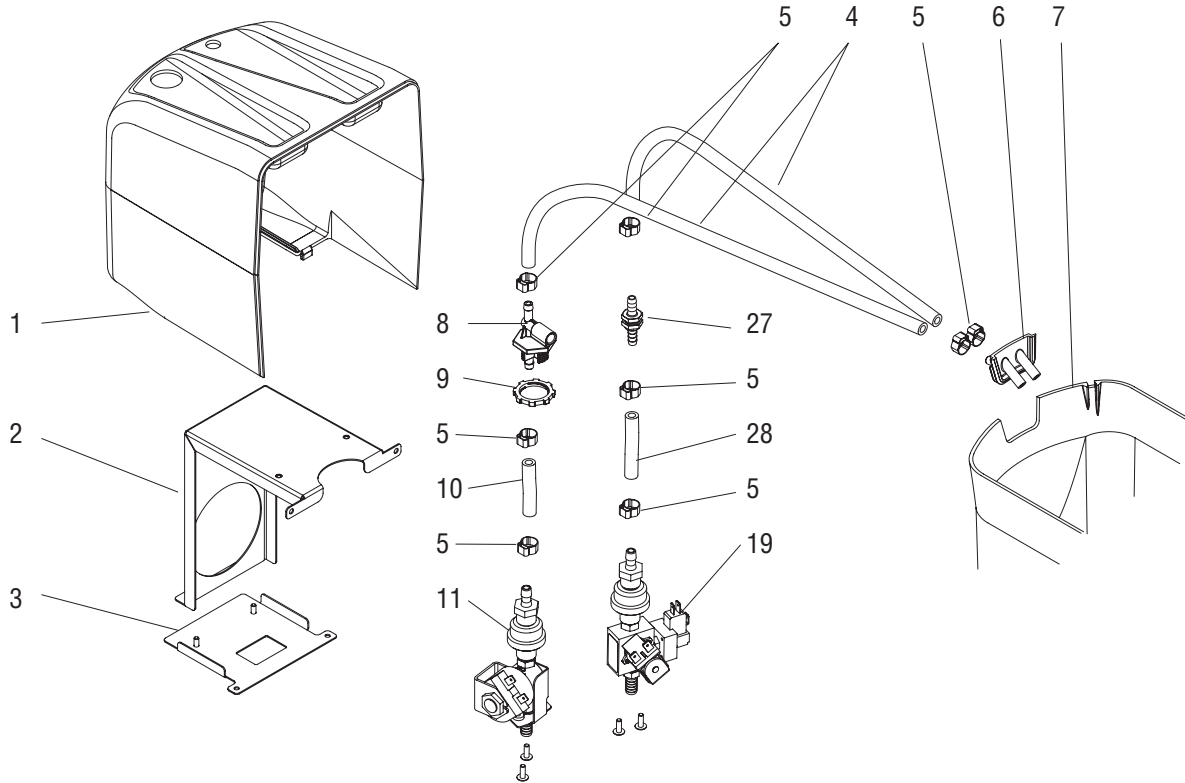


## PAF PLATFORM ASSEMBLY (Late Models)

ITEM	PART NO.	QTY.	DESCRIPTION
22	47244.0000	1	Bracket, Support SST
	47244.0001	1	Bracket, Support BLK
	01315.0000	3	Screw, SST, Truss Head #8-32 x .38"
	02322.0002	3	Screw, BLK, Truss Head #8-32 x .38"
	01384.0002	1	Screw, Truss Head #8-32 x 2.0"
	02314.0000	1	Screw, Pan Head .25-20 x 0.5"
23	51696.0000	1	Decal, Dual Power Cord
24	00986.0002	1	Decal, Electrical Warning

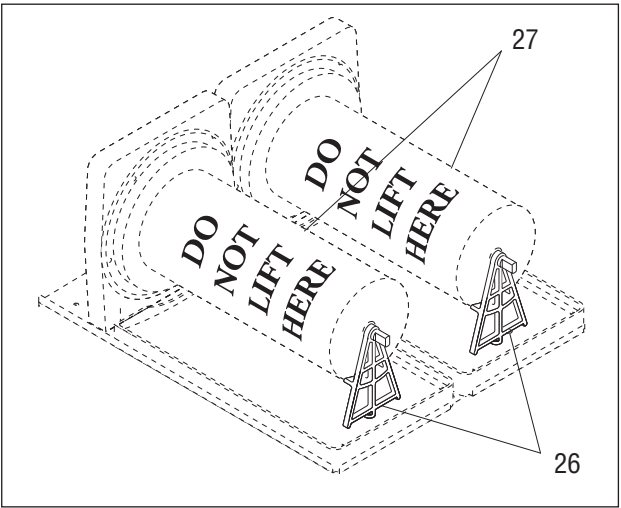
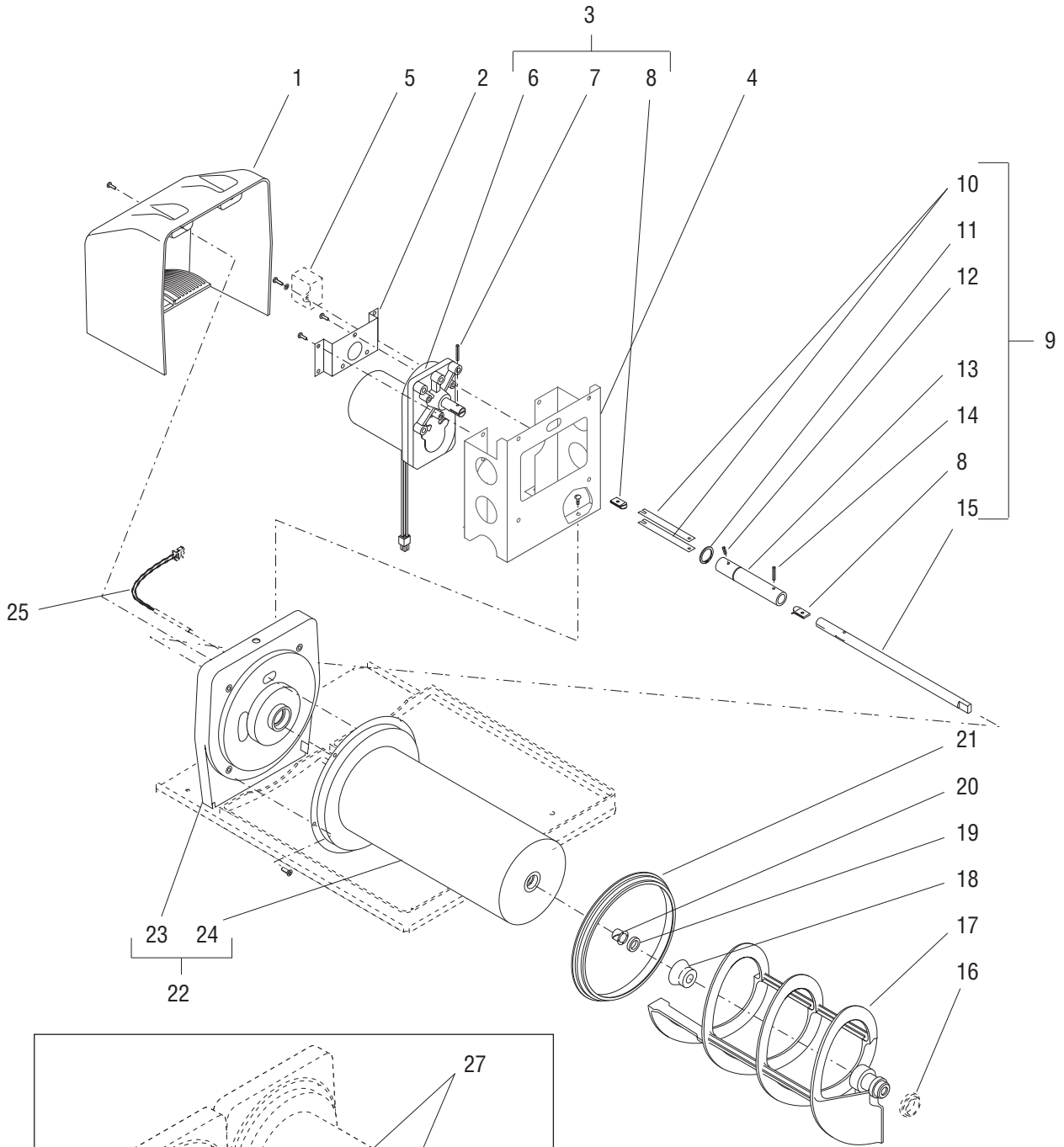
The following items are not illustrated

25	00617.0000	1	Cable Tie
26	20630.0007	1	Power Cord (120V)
	33529.0011	1	Power Cord (230V)
27	29948.0000	1	Harness, Main (120V)
	29948.0001	1	Harness, Main (230V)
28	32267.1000	1	Lamp Cord (Includes item 30)
29	29763.0000	2	Resister, Probe Detector
30	03851.0000	2	Wire Nut



## LIQUID AUTOFILL (LAF CF) KIT

ITEM	PART NO.	QTY.	DESCRIPTION
1	-----	2	Cover, Auger Motor (See AUGER DRIVE & COOLING DRUM)
2	43145.0000	2	Bracket, Support
	00970.0000	8	Nut, Keps #8-32
3	43131.0000	2	Bracket, Cover Mounting
	02308.0000	4	Screw, Pan Head Serrated #8-32 x .375"
4	38129.0017*	4	Hose, Braided .25" ID x 11.0" (Order item 29)
5	21275.0006	16	Clamp
6	43823.0000	2	Fitting
7	-----	2	Hopper (See HOPPER, COVER AND FAUCET)
8	43115.0000	2	Valve, Needle
9	45042.1000	2	Locknut
10	38129.0023*	2	Hose, Braided .25" ID x 1.75" (Order item 29)
11	43130.1001	2	Valve Assy, Water, 120V
	43130.1003	2	Valve Assy, Water, 230V
	01317.0000	4	Screw, Truss Head #8-32 x .50"
			} Includes items 12-18
12	01085.0008	2	Valve, Solenoid
	44945.0000	4	Screw
13	46341.0000	2	Fitting
14	42193.0000	2	CF Valve
15	43124.0000	2	Fitting
16	43907.0000	2	Bracket
17	00430.0001	2	Adapter
18	43122.0002	2	Fitting
19	43130.1002	2	Valve Assy, Syrup, 120V
	43130.1004	2	Valve Assy, Syrup, 230V
	01317.0000	4	Screw, Truss Head #8-32 x .50"
			} Includes items 20-26
20	43128.0000	2	Valve, Solenoid
21	44011.0002	2	Switch, Pressure
22	46341.0000	2	Fitting
23	42193.0000	2	CF Valve
24	43941.1000	2	Orifice, .0465 BLK
	43941.1001	2	Orifice, .0350 WHT
25	43124.0000	2	Fiting
26	43122.0002	2	Fitting
27	43121.0000	2	Fitting, Bulkhead
28	38129.0005*	2	Hose, Braided .25" ID x 2.25" (Order item 29)
29	38129.1000	-	Hose, Braided .25" ID x 12.0" (Cut to required length)
30	43841.0000	2	Harness Valve Wiring 120V
	43841.0001	2	Harness Valve Wiring 230V
			} Not Illustrated

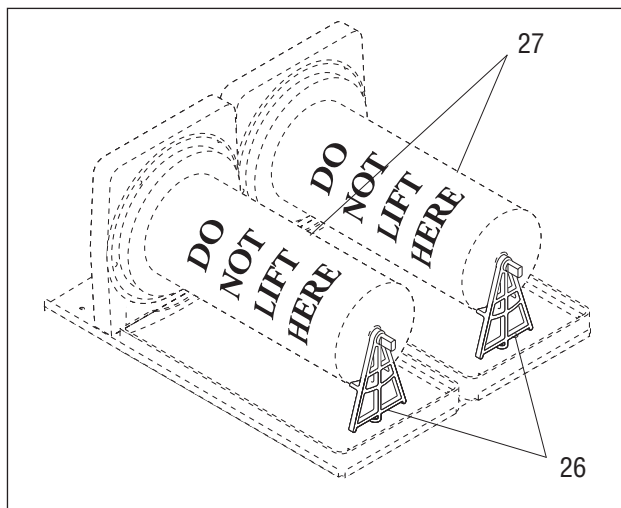
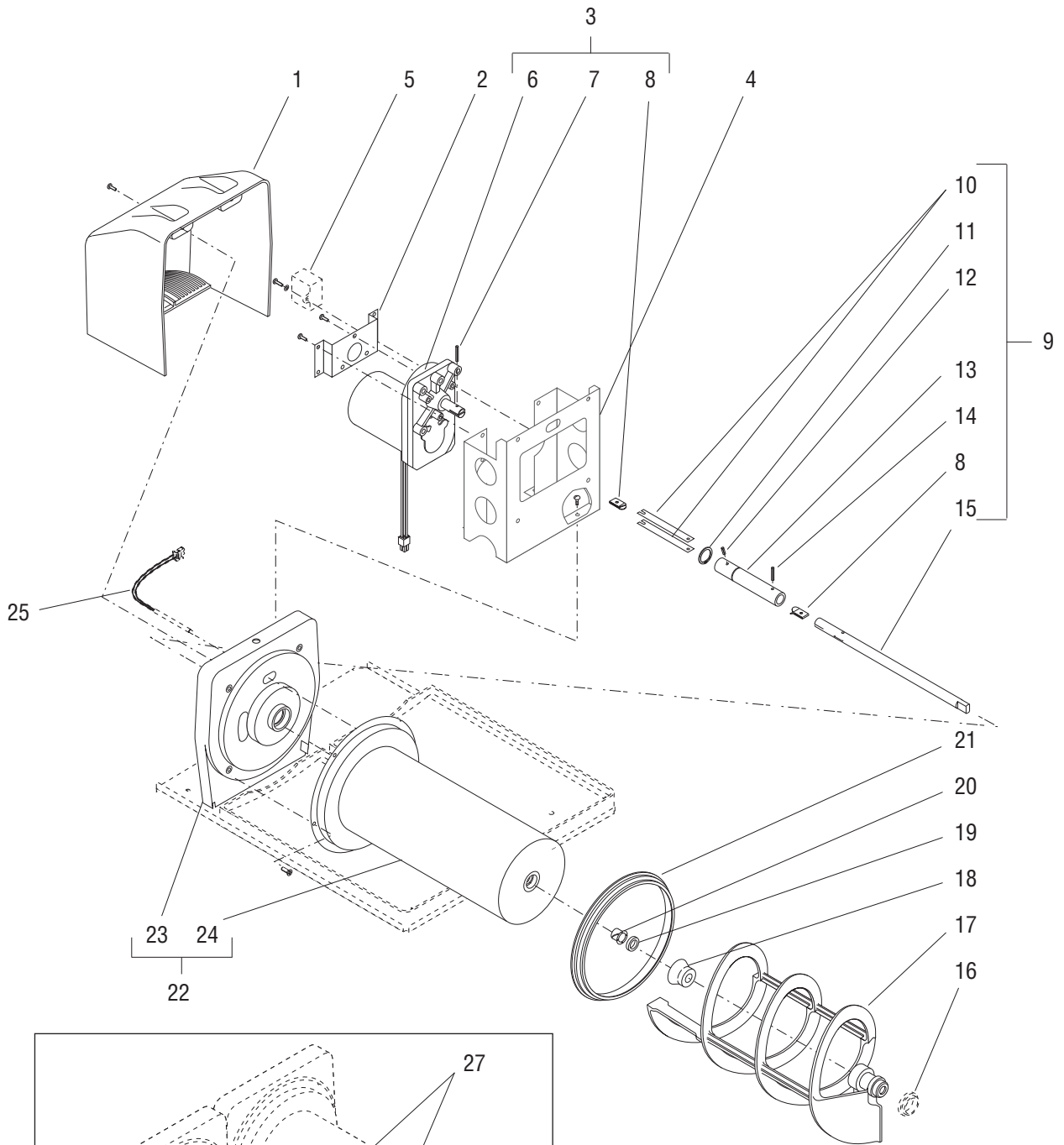


## AUGER DRIVE AND COOLING DRUM

ITEM	PART NO.	QTY.	DESCRIPTION
1	27231.0000	2	Cover, Auger Motor - WHI
	27231.0001	2	Cover, Auger Motor - BLK
	43118.0000	2	Cover, Auger Motor - WHI
	43118.0001	2	Cover, Auger Motor - BLK
	01317.0000	4	Screw, Truss Head #8-32 x .50"
			} Models with } LAF CF
2	27232.0000	2	Bracket, Auger Motor Mounting
	27232.0003	2	Bracket, Auger Motor Mounting (Salt Air Resistant)
	02308.0000	6	Screw, Pan Head Serrated #8-32 x .375"
3	28093.1000	2	Motor Assy, Auger (Includes items 6, 7 & 8) (120V)
	28093.1003	2	Motor Assy, Auger (Includes items 6, 7 & 8) (230V)
	01326.0002	6	Screw, Pan Head #10-32 x .375"
4	32108.0002	2	Bracket, Auger Motor/Cooling Drum Mounting
	32108.0006	2	Bracket, Auger Motor/Cooling Drum Mounting (Salt Air Resistant)
	01311.0001	8	Screw, Truss Head - Locking #8-32 x .25"
5	-----	2	Capacitor, Motor (See ELECTRICAL AND OPERATING CONTROLS)
	01317.0000	2	Screw, Truss Head #8-32 x .50"
	01501.0000	2	Washer #8
	01511.0000	2	Lockwasher, Ext.-tooth #8
6	27179.0004*	1	Motor Assembly, Auger (120V)(Order item 3)
	27179.0005*	1	Motor Assembly, Auger (230V)(Order item 3)
7	34836.0002	1	Pin, Drive .125" O.D. x .94"
8	27440.0001	2	Bearing, Torsion Spring
9	28081.0001	2	Shaft Assy, Auger Drive (Includes items 8, 10 thru 15) (Also use item 28)
10	27223.0000	2	Spring, Torsion
11	27228.0000	1	Snap Ring
12	11556.0001	1	Pin, Split .125" O.D. x .437"
13	27224.0000	1	Retainer, Torsion Spring
14	34836.0001	1	Pin, Split .125" O.D. x .75"
15	32449.0000	1	Shaft, Auger
16	32189.0000	2	Bushing, Auger - Front
17	32106.1000	2	Auger
18	26780.0000	2	Seal, Auger Shaft
19	37593.0000	2	Seal, Cooling Drum
20	26781.0000	2	Bushing, Auger Shaft
21	32079.0000	2	Seal, Cooling Drum/Hopper

(Continued)

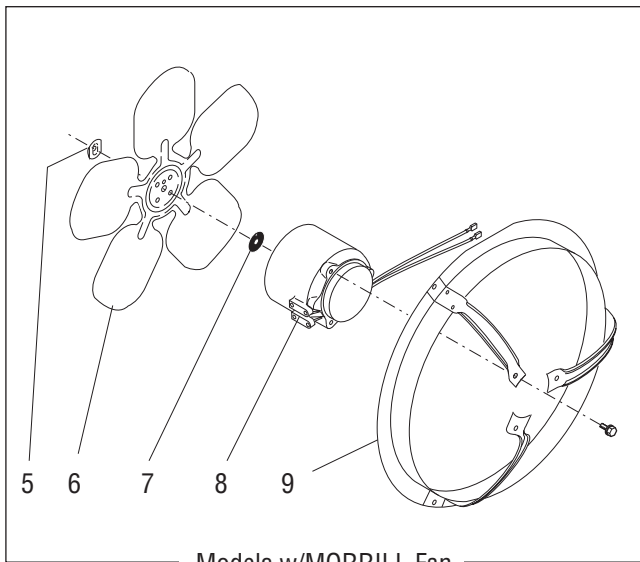
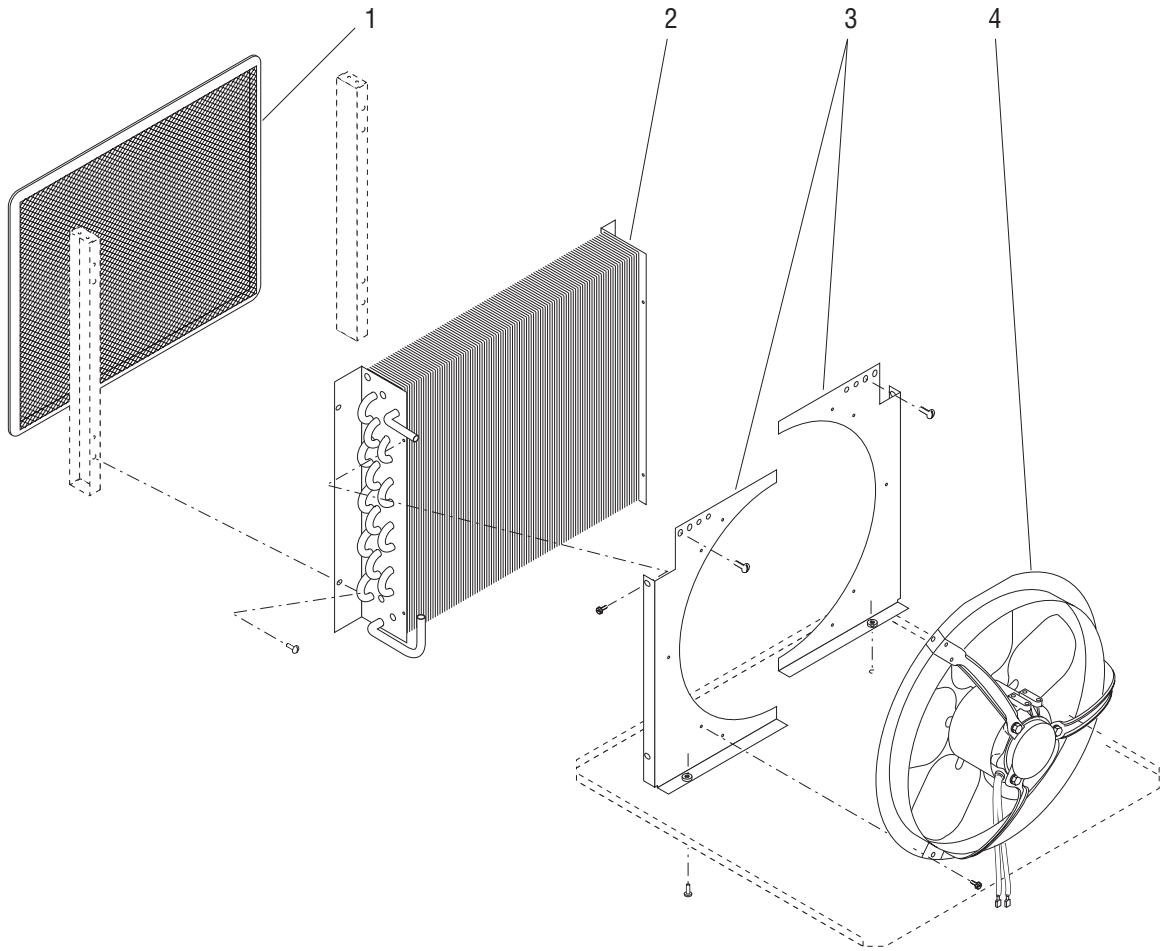
(Continued)



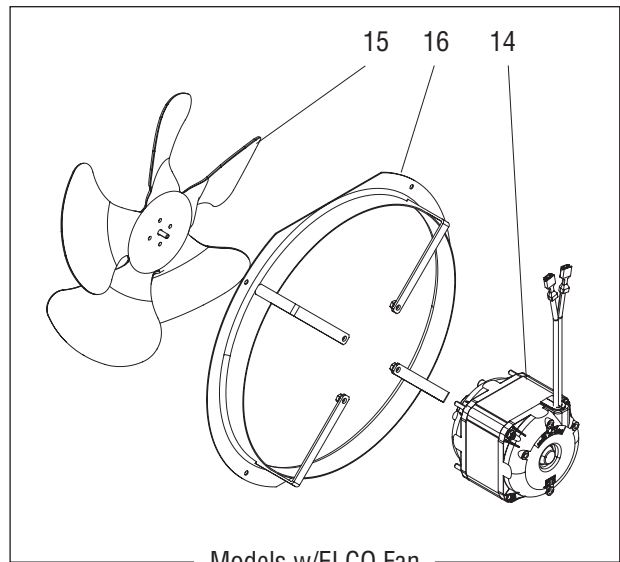


## AUGER DRIVE AND COOLING DRUM

ITEM	PART NO.	QTY.	DESCRIPTION
22	32092.0002	2	Drum Assy, Cooling - WHI (Incl. items 23 & 24)
	32092.1003	2	Drum Assy, Cooling - BLK (Incl. items 23 & 24)
	32092.0004	2	Drum Assy, Cooling - WHI (Incl. items 23 & 24)(Salt Air Resistant)
	32092.0005	2	Drum Assy, Cooling - BLK (Incl. items 23 & 24)(Salt Air Resistant)
	01377.0000	8	Screw, Flat Head #8-32 x .75"
23	42175.0002	1	Mount Assembly, Cooling Drum - WHI
	42175.0003	1	Mount Assembly, Cooling Drum - BLK
24	-----	1	Drum, Cooling (Not Available. Order item 22)
25	-----	-	Temperature Sensor Assy (See ELECTRICAL AND OPERATING CONTROLS)
26	28027.0000	2	Support, Cooling Drum (For Shipping and Cooling Drum Adjustment)
27	28236.0000	2	Label, DO NOT LIFT HERE (For Shipping Only)
28	M2548.1001	-	Lubricant, Krytox .50 oz (Not illustrated)



Models w/MORRILL Fan

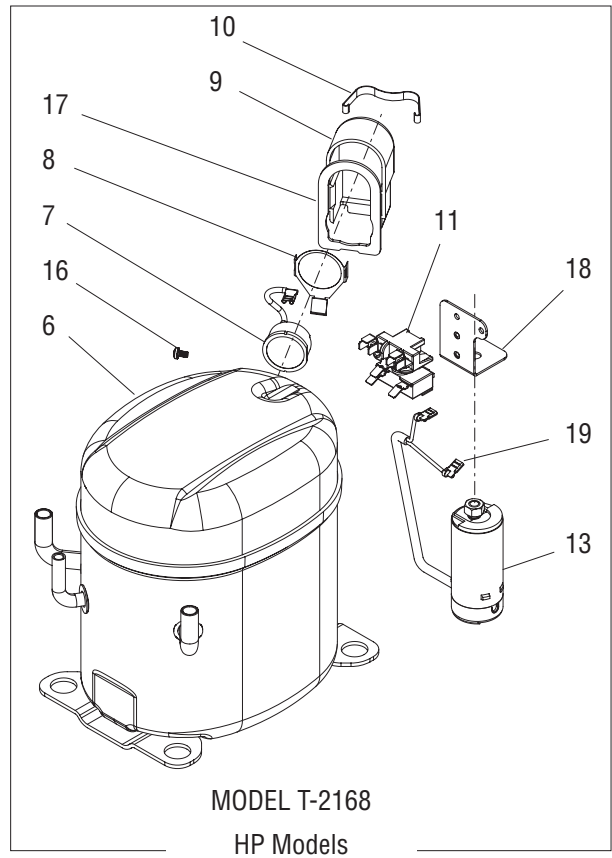
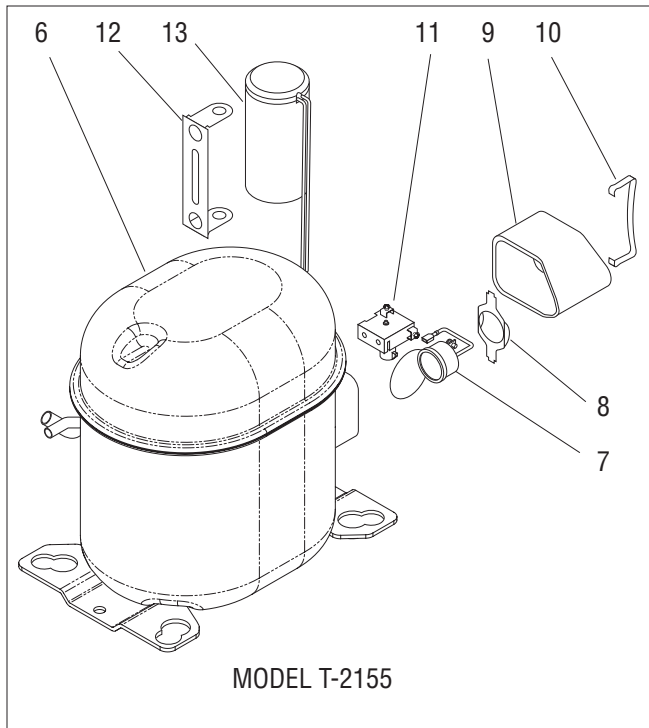
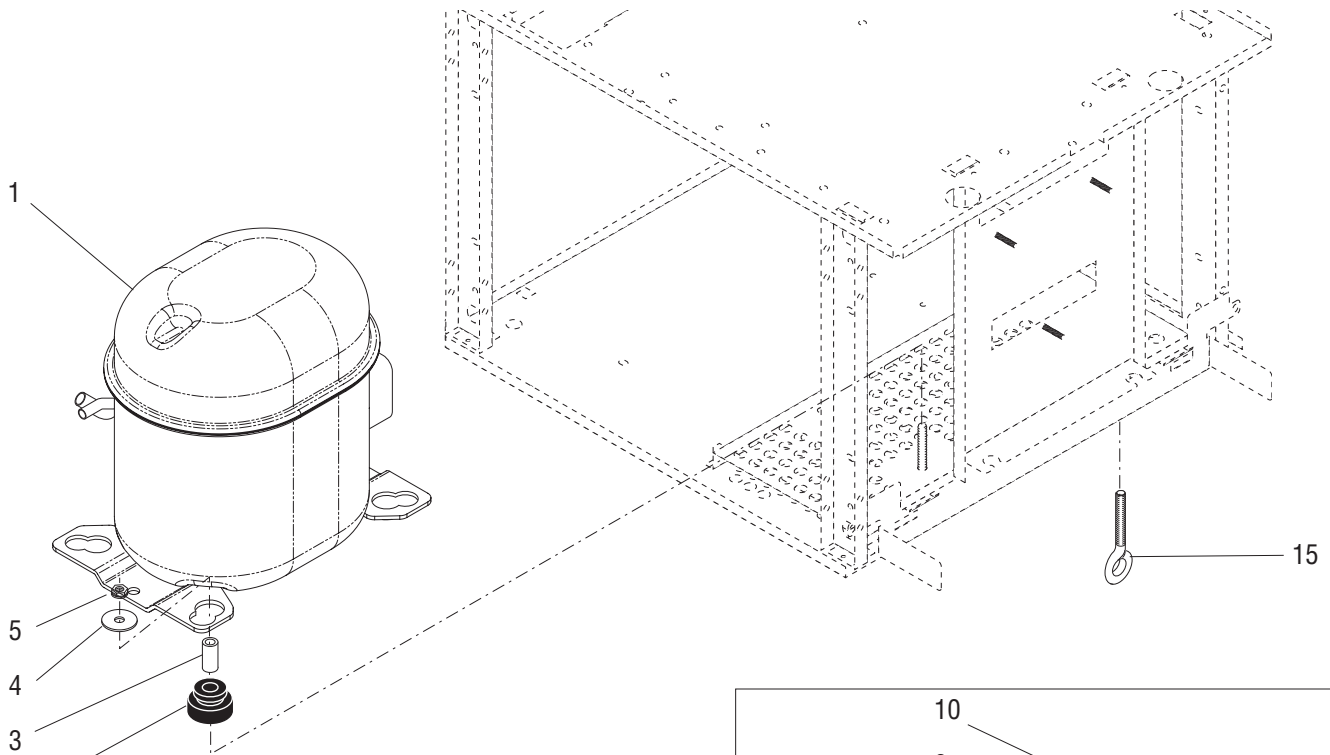


Models w/ELCO Fan

## CONDENSER AND FAN MOUNTING

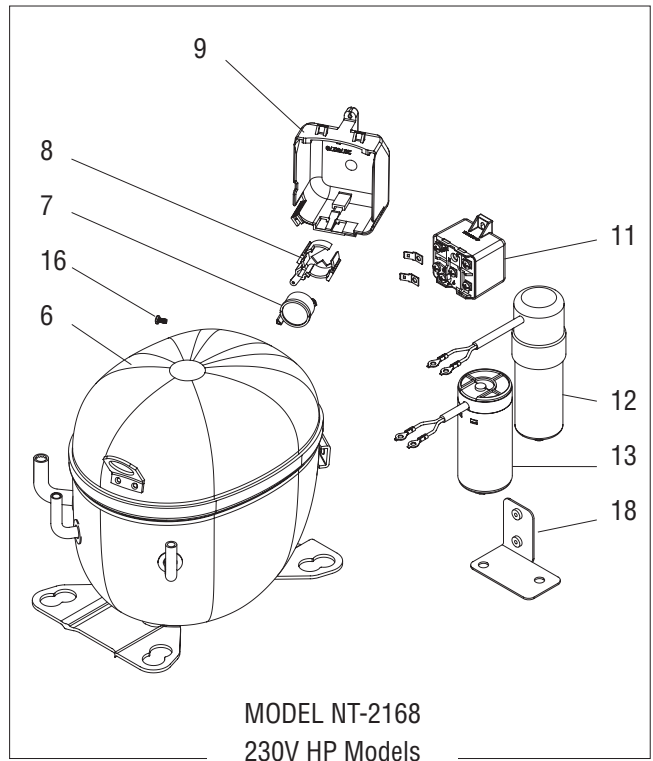
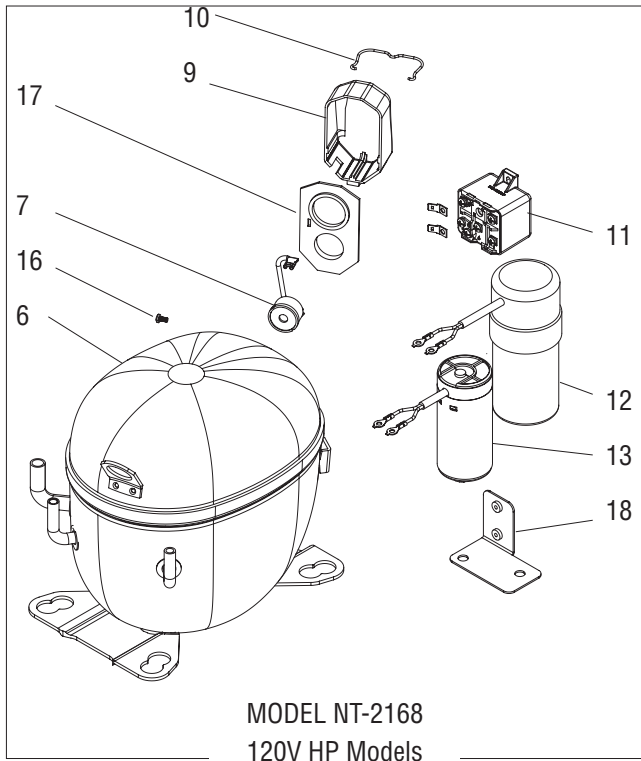
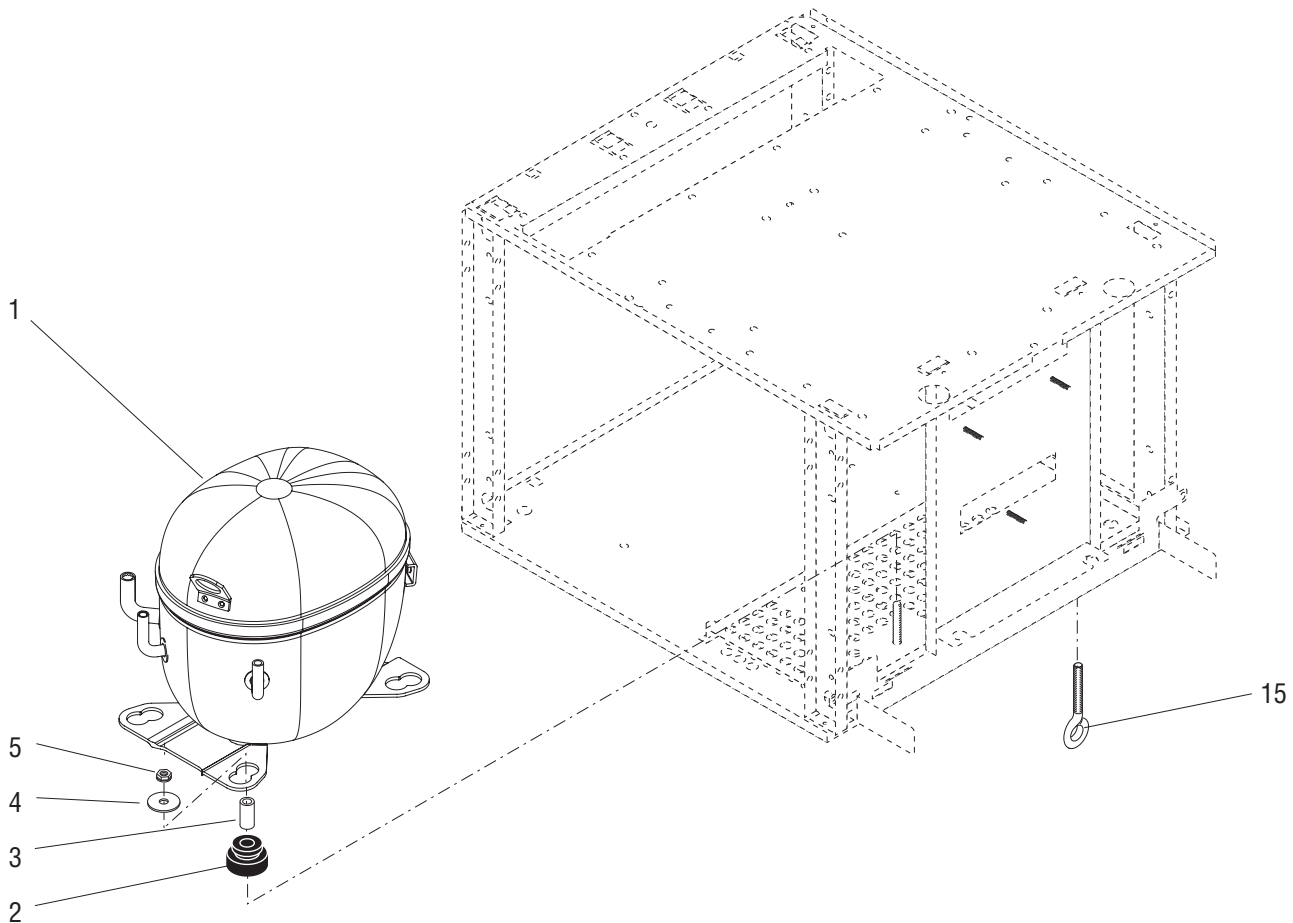
ITEM	PART NO.	QTY.	DESCRIPTION
1	28122.0000	1	Filter, Air
2	26791.0000	1	Condenser Assy
	26791.0001	1	Condenser Assy, Coated (Salt Air Resistant)
	02308.0000	4	Screw, Pan Head Serrated #8-32 x .375"
3	32084.0000	1	Shroud, Condenser - Right Half
	32084.0008	1	Shroud, Condenser - Right Half (Salt Air Resistant)
	32084.0006	1	Shroud, Condenser - Right Half (Internal Autofill Ready)
	32084.0005	1	Shroud, Condenser - Left Half
	32084.0007	1	Shroud, Condenser - Left Half (Salt Air Resistant)
	02332.0001	4	Screw, Hex Head Crimptite #6 x .25"
	02308.0000	4	Screw, Pan Head Serrated #8-32 x .375"
4	29084.0000	1	Fan Assy, Condenser - 120V (Includes items 5 thru 9)
	29084.0002	1	Fan Assy, Condenser - 120V (Includes items 5 thru 9)(Salt Air Resistant)
	29084.0001	1	Fan Assy, Condenser - 230V (Includes items 5 thru 9)
	02332.0002	3	Screw, Hex Head - Thread Cutting #6 x .375"
5	27257.0000	1	Speed Nut .25"-20
6	29159.0000	1	Blade, Condenser Fan - 230V HP
	29159.0000	1	Blade, Condenser Fan - 115V HP
	27220.0000	1	Blade, Condenser Fan - 115V
7	27258.0000	1	Silencer, Fan
8	27221.0000	1	Motor, Condenser Fan - 115V (Includes Leads and Terminals)
	29160.0000	1	Motor, Condenser Fan - 115V HP (Includes Leads and Terminals)
	29160.0001	1	Motor, Condenser Fan - 230V HP (Includes Leads and Terminals)
9	27219.0000	1	Shroud/Mount, Condenser Fan
	27219.0001	1	Shroud/Mount, Condenser Fan (Salt Air Resistant)
	27243.0000	3	Screw, Hex Head Thread Forming #8-32 x .437"
10	36329.0002	3	Cable Tie (Not Illustrated)
11	38278.0003*	1	Edging 1.00" (Order item 13)
12	38278.0016*	1	Edging 1.25" (Order item 13)
13	38278.1002	-	Edging 36.0" (Use as required)
14	-----	1	Motor, Condenser Fan - 115V, 25W
	-----	1	Motor, Condenser Fan - 115V, 34W
15	-----	1	Blade, Condenser Fan, Plastic
	-----	1	Blade, Condenser Fan, Metal
16	-----	1	Shroud/Mount, Condenser Fan

} Early Models. Order item 4



## COMPRESSOR AND MOUNTING (EMBRACO)(Early Models)

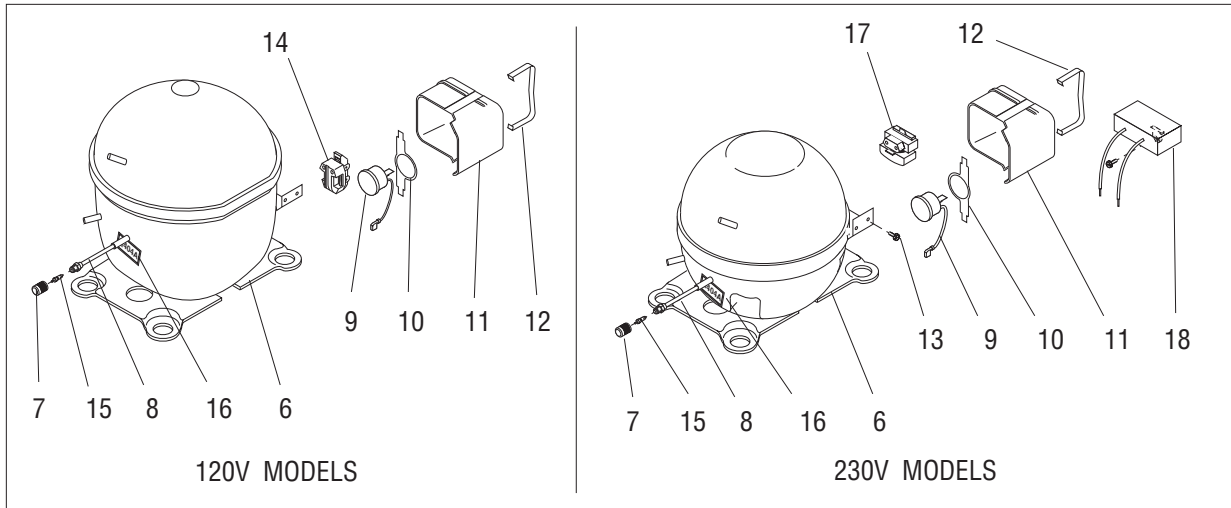
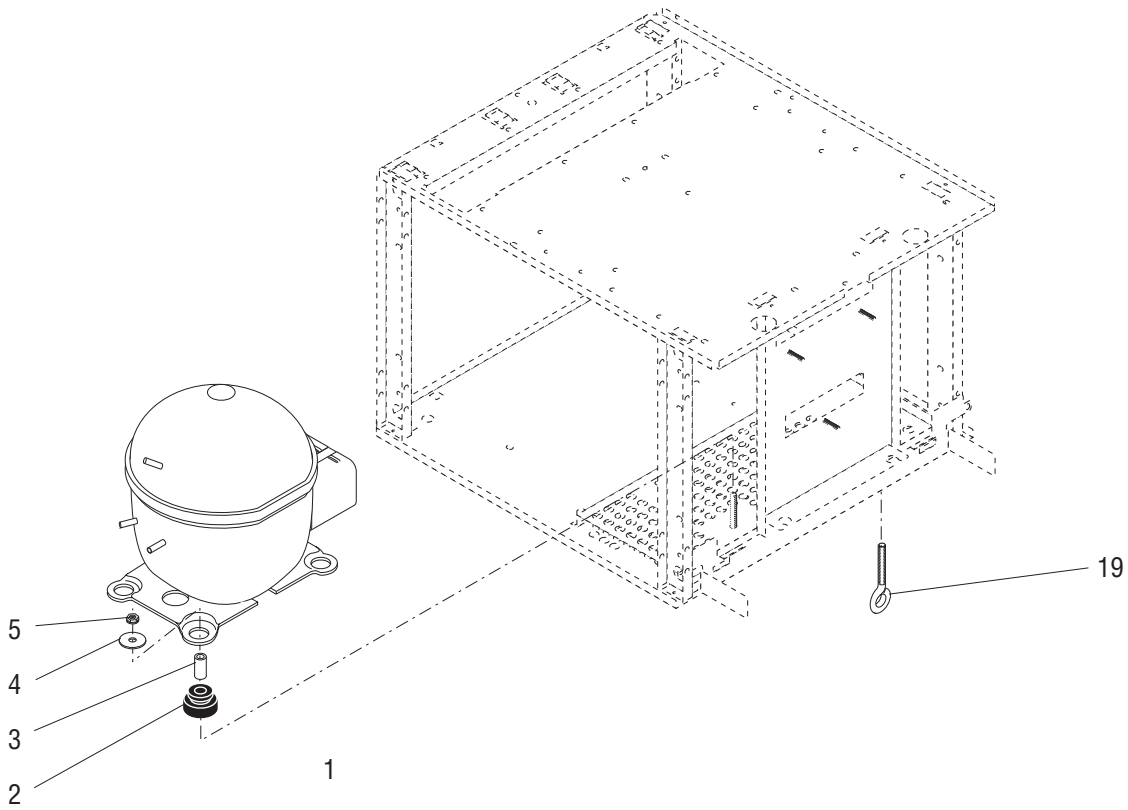
ITEM	PART NO.	QTY.	DESCRIPTION
<b>NOTE:</b> Compressor part numbers are no longer available. Check with Bunn for substitute replacements.			
1	-----	1	Compressor Assy (Model T2155) 120V (No Longer Available)
	-----	1	Compressor Assy, High Performance (Model T2168) 120V (No Longer Available)
	-----	1	Compressor Assy, High Performance (Model T2168) 230V (No Longer Available)
2	32797.0000	4	Grommet, Compressor Mounting
3	32798.0000*	4	Sleeve, Compressor Mounting
4	34529.0000*	4	Washer, .281" I.D. x 1.0" O.D.
5	23700.0000	4	Nut, Hex Keps .25"-20
6	-----	1	Compressor (Not Available. Order item 1)
7	34254.0002	1	Overload Protector (Model T2155)(120V)
	39136.0000	1	Overload Protector (Model T2168)(230V)
	39819.0000	1	Overload Protector (Model T2168)(120V)
8	34253.0000	1	Retainer, Overload Protector (Model T2155, 120V & Model T2168, 230V)
	39821.0000	1	Retainer, Overload Protector (Model T2168)(120V)
9	34252.0001	1	Cover, Compressor Terminal (Model T2155, 120V & Model T2168, 230V)
	39818.0000	1	Cover, Compressor Terminal (Model T2168)(120V)
10	34251.0000	1	Retainer, Compressor Terminal Cover (Model T2155, 120V & Model T2168, 230V)
	39820.0000	1	Retainer, Compressor Terminal Cover (Model T2168)(120V)
11	34255.0002	1	Relay, Compressor Start (Model T2155)(120V)
	39137.0000	1	Relay, Compressor Start (Model T2168)(230V)
	39833.0000	1	Relay, Compressor Start (Model T2168)(120V)
12	32799.0002	1	Bracket, Capacitor (Model T2155, 120V & Model T2168, 230V)
13	32795.0002	1	Capacitor, Run (Model T2155)(120V)
	39152.0000	1	Capacitor, Run (Model T2168)(230V)
	39804.0000	1	Capacitor, Run (Model T2168)(120V)
14	28651.0000	1	Label - R404A (Not illustrated)
15	-----	1	Eyebolt (Shipping Only)
	-----	1	Tag, Eyebolt Shipping Notice (Not illustrated)
16	39142.0000	1	Screw M4 x 7mm
17	39885.0000	1	Gasket (Model T2168)(120V)
18	39788.0000	1	Bracket (Model T2168)(120V)
	02335.0001	1	Screw, Hex #8 x .38" (Relay)
	02308.0000	2	Screw, Pan Head Serrated #8-32 x .375" (Bracket)
19	39789.0000	1	Wiring Harness, Compressor (Model T2168)(120V)
	33052.0000	1	Screw, Flat Head #10-32 x .50"
	00971.0000	1	Nut, Keps #10-32



## COMPRESSOR AND MOUNTING (EMBRACO)(Late Models)

ITEM	PART NO.	QTY.	DESCRIPTION
<b>NOTE:</b> Check compressor data plate for Model Number prior to ordering replacement parts.			
1	35980.1004	1	Compressor Assy (Model NT2168) 120V (Incl. items 2, 3, 6 - 18)
	35980.0008	1	Compressor Assy (Model NT2168) 120V (Incl. items 2, 3, 6 - 18)(Salt Air Resistant)
	35980.1005	1	Compressor Assy (Model NT2168) 230V (Incl. items 2, 3, 6 - 18)
2	32797.0000	4	Grommet, Compressor Mounting
3	32798.0000*	4	Sleeve, Compressor Mounting
4	34529.0000*	4	Washer, .281" I.D. x 1.0" O.D.
5	23700.0000	4	Nut, Hex Keps .25"-20
6	-----	1	Compressor (Not Available. Order item 1)
7	39819.0004	1	Overload Protector (Model NT2168)(120V)
	39819.0005	1	Overload Protector (Model NT2168)(230V)
8	38821.0005	1	Retainer, Overload Protector (Model NT2168)(230V)
9	39818.0001	1	Cover, Compressor Terminal (Model NT2168)(120V)
	39818.0002	1	Cover, Compressor Terminal (Model NT2168)(230V)
10	39820.0001	1	Retainer, Compressor Terminal Cover (Model NT2168)(120V)
11	39833.0004	1	Relay, Compressor Start (Model NT2168)(120V)
	39833.0005	1	Relay, Compressor Start (Model NT2168)(230V)
12	44820.0004	1	Capacitor, Run (Model NT2168)(120V)
	44820.0005	1	Capacitor, Run (Model NT2168)(230V)
13	39804.0004	1	Capacitor, Start (Model NT2168)(120V)
	39804.0005	1	Capacitor, Start (Model NT2168)(230V)
14	28651.0000	1	Label - R404A (Not illustrated)
15	-----	1	Eyebolt (Shipping Only)
	-----	1	Tag, Eyebolt Shipping Notice (Not illustrated)
16	45282.0000	1	Screw M3.5 x 7mm (120V)
17	39885.0001	1	Gasket (Model NT2168)(120V)
18	39788.0001	1	Bracket (Model NT2168)(120V & 230V)
	39788.0003	1	Bracket (Model NT2168)(120V & 230V) (Salt Air Resistant)
	02308.0000	2	Screw, Pan Head Serrated #8-32 x .375"





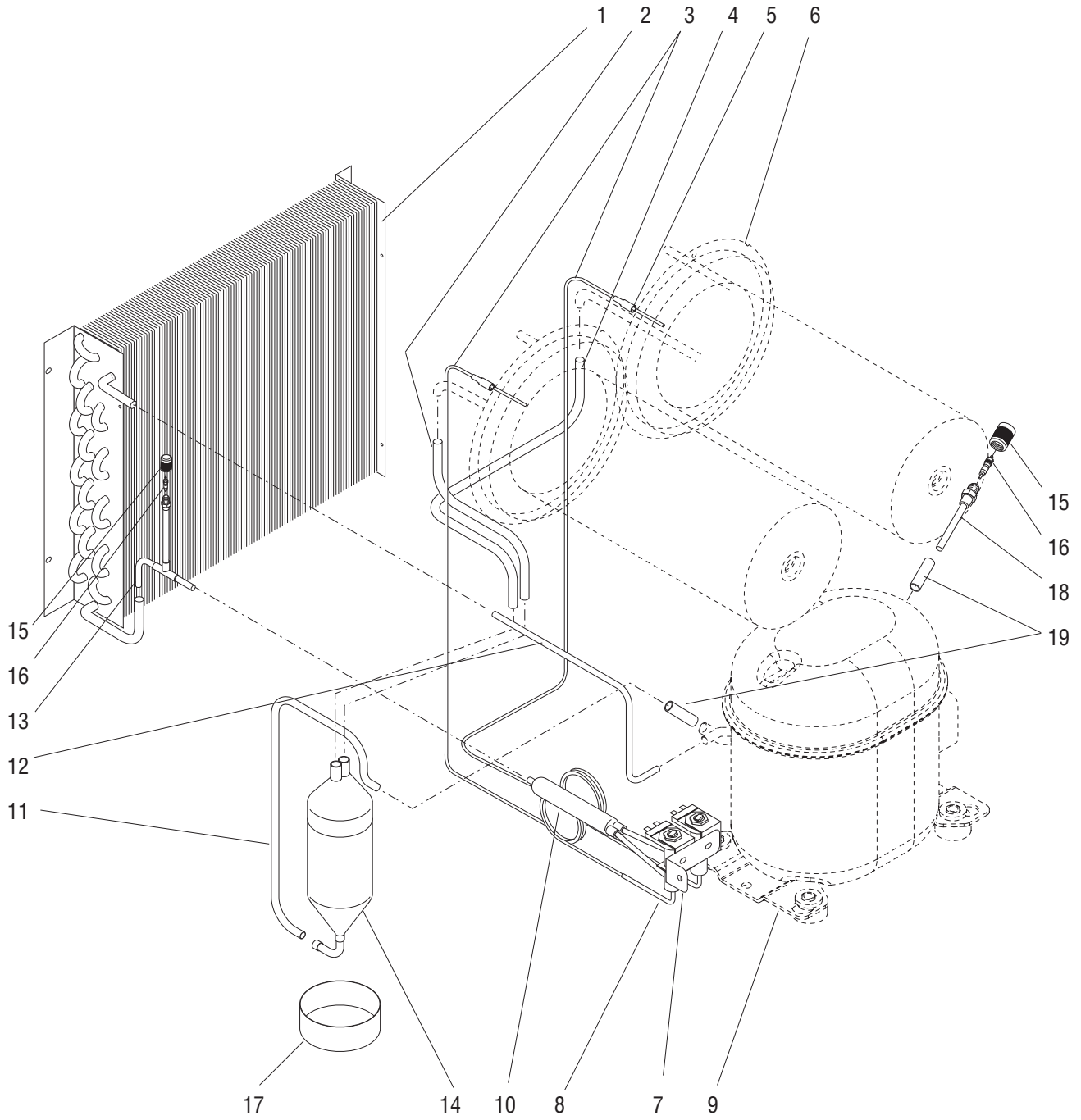
## COMPRESSOR AND MOUNTING (AMERICOLD)

ITEM	PART NO.	QTY.	DESCRIPTION
------	----------	------	-------------

**NOTE:** Compressors and related parts are no longer available. No substitutes are available.

1	----- -----	1 1	Compressor Assy 120V (No Longer Available) Compressor Assy 230V (No Longer Available)
2	-----	4	Grommet, Compressor Mounting
3	-----	4	Sleeve, Compressor Mounting
4	34529.0000*	4	Washer, .281" I.D. x 1.0" O.D.
5	23700.0000	4	Nut, Hex Keps .25"-20
6	-----	1	Compressor (Not Available. Order item 1)
7	27641.0000	1	Cap, Access Valve (Procure Locally)
8	27551.0000	1	Valve Assy, Access (Includes items 7 & 15) (Requires brazing to Install)
9	27407.0000 27407.0001	1 1	Overload Protector (120V) Overload Protector (230V)
10	27403.0000	1	Retainer, Overload Protector (120V)
11	27408.0000	1	Cover, Compressor Terminal
12	32095.0000 27404.0000	1 1	Retainer, Compressor Terminal Cover (120V) Retainer, Compressor Terminal Cover (230V)
13	02335.0001	1	Screw, Hex Head Crimptite #8 x .375"
14	32094.0000	1	Relay, Compressor Start (120V)
15	27642.0000	1	Valve Core, .25"
16	28651.0000	1	Label - R404A
17	27406.0002	1	Starter, Motor (230V)
18	27405.0001 02332.0002	1	Capacitor, Run (230V) Screw, Hex Crimptite #6 x .375"
19	----- -----	1 1	Eyebolt (Shipping Only) Tag, Eyebolt Shipping Notice (Not illustrated)
20	27613.0000	1	Kit, Compressor Mounting (Includes 4 each of item 2 & 3)

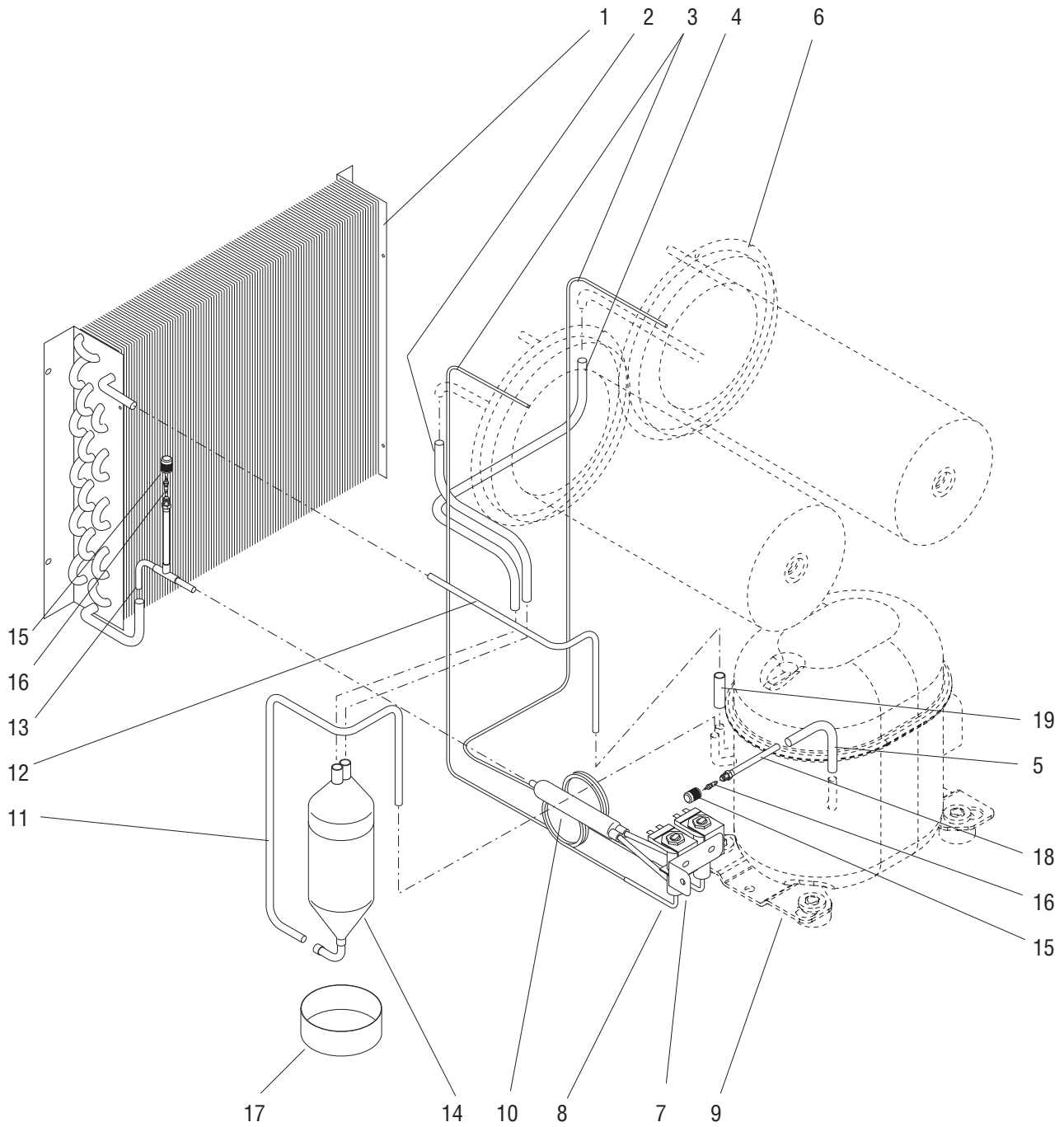
} Order item 20



## SOLENOID AND COOLANT PIPING (EMBRACO-100V & 120V)

ITEM	PART NO.	QTY.	DESCRIPTION
1	-----	1	Condenser (See Condenser and Fan Mounting)
2	32088.0000	1	Tube .375" O.D. Accumulator to Left Cooling Drum (Requires brazing to install)
3	27607.1000	1	Tube .093" O.D. Solenoid to Left Cooling Drum (Requires brazing to install)
	27607.1001	1	Tube .093" O.D. Solenoid to Right Cooling Drum (Requires brazing to install)
4	32087.0000	1	Tube .375" O.D. Accumulator to Right Cooling Drum (Requires brazing to install)
5	28925.0000	2	Adapter, Reducing (Requires brazing to install)(Early Models)
6	-----	2	Cooling Drum (See Auger Drive and Cooling Drum)
7	32113.0000	1	Bracket, Solenoid Mounting
	32113.0000	1	Bracket, Solenoid Mounting (Salt Air Resistant)
	02308.0000	1	Screw, Pan Head Serrated #8-32 x .375"
8	32133.0000	2	Solenoid Assy (120V)
	32133.0002	2	Solenoid Assy (100V)
	02332.0001	2	Screw, Crimpite #6 x .25"
9	-----	1	Compressor (See Compressor and Mounting)
10	32256.0000	1	Dryer Assembly (Requires brazing to install)
11	34257.0000	1	Tube .312" O.D. Accumulator to Compressor (Requires brazing to install)
12	34258.0000	1	Tube .250" O.D. Condenser to Compressor (Requires brazing to install)
13	34211.0000*	1	Tube, Condenser to Dryer (Includes items 15 & 16) (Requires brazing to install)
14	32257.0000	1	Accumulator, Suction (Requires brazing to install)
15	27641.0000	2	Cap, Valve Access
16	27642.0000	2	Valve Core
17	27411.0000	1	Cup, Condensate
18	28645.0000	1	Valve, Access (Includes items 15 & 16) (Requires brazing to install)
19	34256.0000	2	Tube, Spacer (Requires brazing to install)
20	M2316.1000	-	Insulation, Tube .375" I.D. x 6 ft LG (As Required)
21	00617.0000	8	Tie, BLK Nylon 3.90" LG (As Required)
22	36329.0002	7	Cable Tie

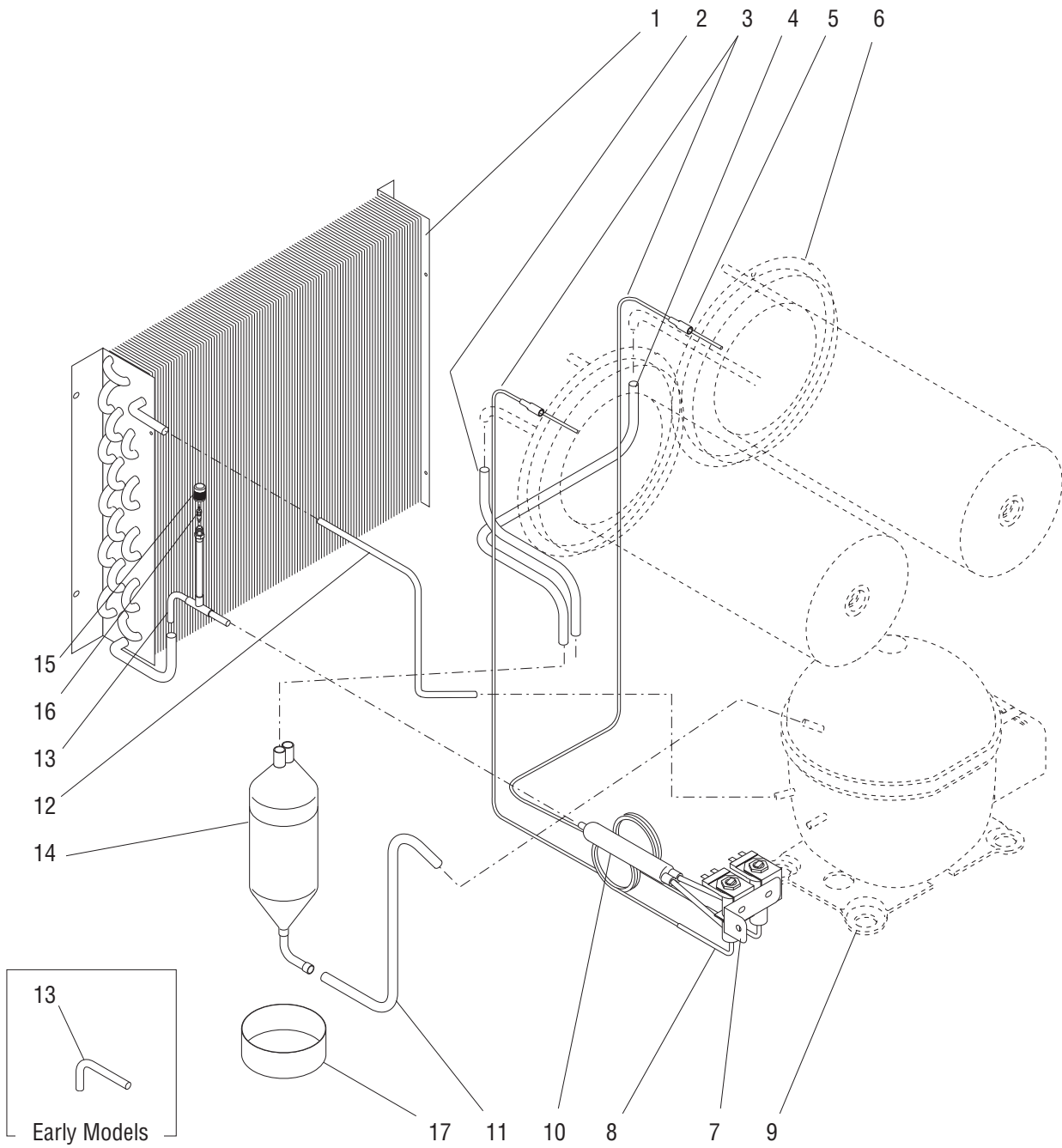
} Not Illustrated



## SOLENOID AND COOLANT PIPING (EMBRACO-230V)

ITEM	PART NO.	QTY.	DESCRIPTION
1	-----	1	Condenser (See Condenser and Fan Mounting)
2	32088.0000	1	Tube .375" O.D. Accumulator to Left Cooling Drum (Requires brazing to install)
3	27607.1000	1	Tube .093" O.D. Solenoid to Left Cooling Drum (Requires brazing to install)
	27607.1001	1	Tube .093" O.D. Solenoid to Right Cooling Drum (Requires brazing to install)
4	32087.0000	1	Tube .375" O.D. Accumulator to Right Cooling Drum (Requires brazing to install)
5	44053.0000	2	Tube, Access Port (Requires brazing to install)
6	-----	2	Cooling Drum (See Auger Drive and Cooling Drum)
7	32113.0000	1	Bracket, Solenoid Mounting
	02308.0000	1	Screw, Pan Head Serrated #8-32 x .375"
8	32133.0001	2	Solenoid Assy (230V)
	02332.0001	2	Screw, Crimpite #6 x .25"
9	-----	1	Compressor (See Compressor and Mounting)
10	32256.0000	1	Dryer Assembly (Requires brazing to install)
11	36198.0000	1	Tube .312" O.D. Accumulator to Compressor (Requires brazing to install)
12	36196.0000	1	Tube .250" O.D. Condenser to Compressor (Requires brazing to install)
13	34211.0000*	1	Tube, Condenser to Dryer (Includes items 15 & 16) (Requires brazing to install)
14	32257.0000	1	Accumulator, Suction (Requires brazing to install)
15	27641.0000	2	Cap, Valve Access
16	27642.0000	2	Valve Core
17	27411.0000	1	Cup, Condensate
18	28645.0000	1	Valve, Access (Includes items 15 & 16) (Requires brazing to install)
19	34256.0000	1	Tube, Spacer (Requires brazing to install)
20	M2316.1000	-	Insulation, Tube .375" I.D. x 6 ft LG (As Required)
21	00617.0000	8	Tie, BLK Nylon 3.90" LG (As Required)
22	36329.0002	7	Cable Tie

} Not Illustrated

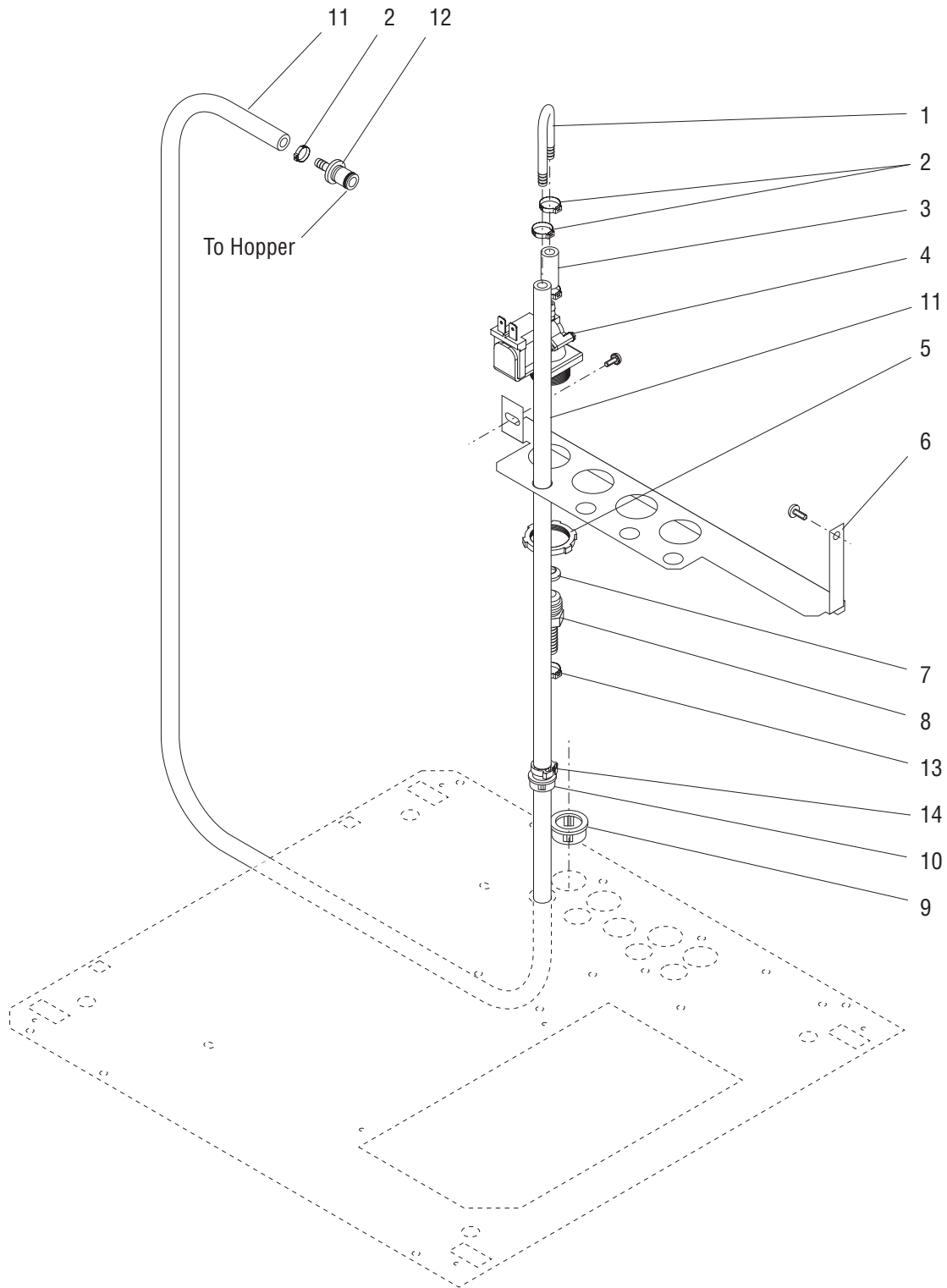




## SOLENOID AND COOLANT PIPING (AMERICOLD)

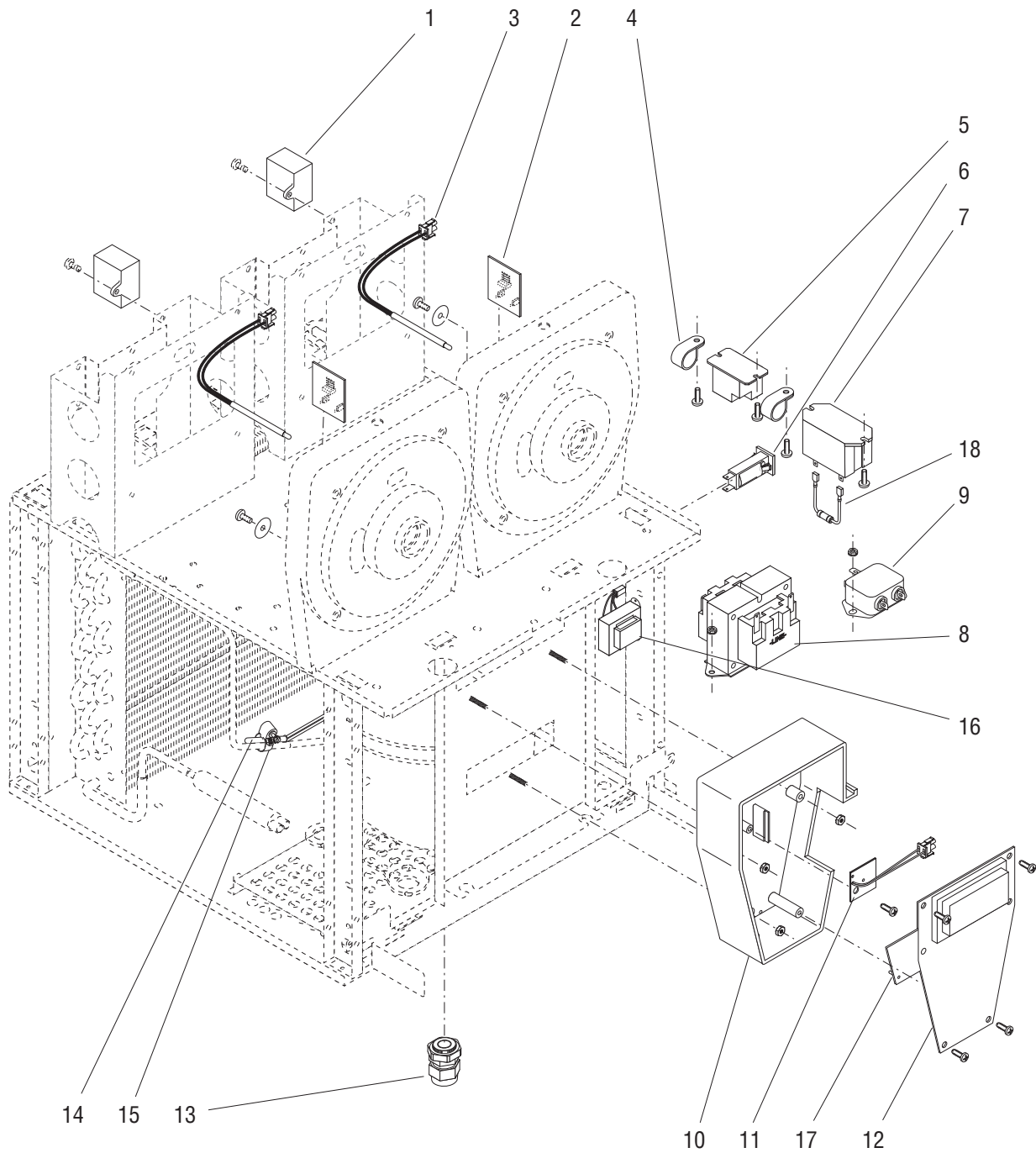
ITEM	PART NO.	QTY.	DESCRIPTION
<b>NOTE:</b> Compressors and related parts are no longer available. No substitutes are available.			
1	-----	1	Condenser (See Condenser and Fan Mounting)
2	32088.0000	1	Tube .375" O.D. Accumulator to Left Cooling Drum (Requires brazing to install)
3	27607.1000	1	Tube .093" O.D. Solenoid to Left Cooling Drum (Requires brazing to install)
	27607.1001	1	Tube .093" O.D. Solenoid to Right Cooling Drum (Requires brazing to install)
4	32087.0000	1	Tube .375" O.D. Accumulator to Right Cooling Drum (Requires brazing to install)
5	28925.0000	2	Adapter, Reducing (Requires brazing to install)(Early Models)
6	-----	2	Cooling Drum (See Auger Drive and Cooling Drum)
7	32113.0000	1	Bracket, Solenoid Mounting
	02308.0000	1	Screw, Pan Head Serrated #8-32 x .375"
8	32133.0000	2	Solenoid Assy (120V)
	32133.0001	2	Solenoid Assy (230V)
	02332.0001	2	Screw, Crimptite #6 x .25"
9	-----	1	Compressor (See Compressor and Mounting)
10	32256.0000	1	Dryer Assembly (Requires brazing to install)
11	32086.0001	1	Tube .312" O.D. Accumulator to Compressor (Requires brazing to install)
12	32085.0001	1	Tube .250" O.D. Condenser to Compressor (Requires brazing to install)
13	-----	1	Tube, Condenser to Dryer (Early Models) (Requires brazing to install)
	34211.0000*	1	Tube, Condenser to Dryer (Late Models) (Includes items 15 & 16) (Requires brazing to install)
14	32257.0000	1	Accumulator, Suction (Requires brazing to install)
15	27641.0000	1	Cap, Valve Access
16	27642.0000	1	Valve Core
17	27411.0000	1	Cup, Condensate
18	M2316.1000	-	Insulation, Tube .375" I.D. x 6 ft LG (As Required)
19	00617.0000	8	Tie, BLK Nylon 3.90" LG (As Required)
20	36329.0002	7	Cable Tie

} Not Illustrated



## INTERNAL LIQUID AUTOFILL KIT (Optional)

ITEM	PART NO.	QTY.	DESCRIPTION
Quantities listed below are for one solenoid only. Two to four may required.			
1	37931.0000	1	Tube
2	21275.0006	4	Clamp .41 - .50"
3	32745.0028*	1	Hose .25" ID x 1.0"
4	37933.0000	1	Solenoid, Syrup Valve 120V
	37933.0001	1	Solenoid, Syrup Valve 230V
	37933.0002	1	Solenoid, Syrup Valve 100V
5	37958.0000	1	Locknut
6	37878.0000	1	Bracket, Autofill
	01311.0001	1	Screw, Truss Head #8-32 x .25" Locking
	02332.0001	1	Screw, Hex Head #6 x .25"
7	33149.0000	1	Gasket
8	35174.0003	1	Fitting .375" Barb x .375" Flare
9	01663.0000	1	Bushing, Snap
10	07070.0000	1	Bushing, Snap
11	32745.0027*	1	Hose .25" ID x 55.0"
12	38021.0000	1	Coupling .25" Barb
	42921.0000	1	Coupling .38" Barb (For Models using .38" ID hose)
13	21275.0003	1	Clamp .57 - .70"
14	12422.0011	1	Clamp .40-.45" ID

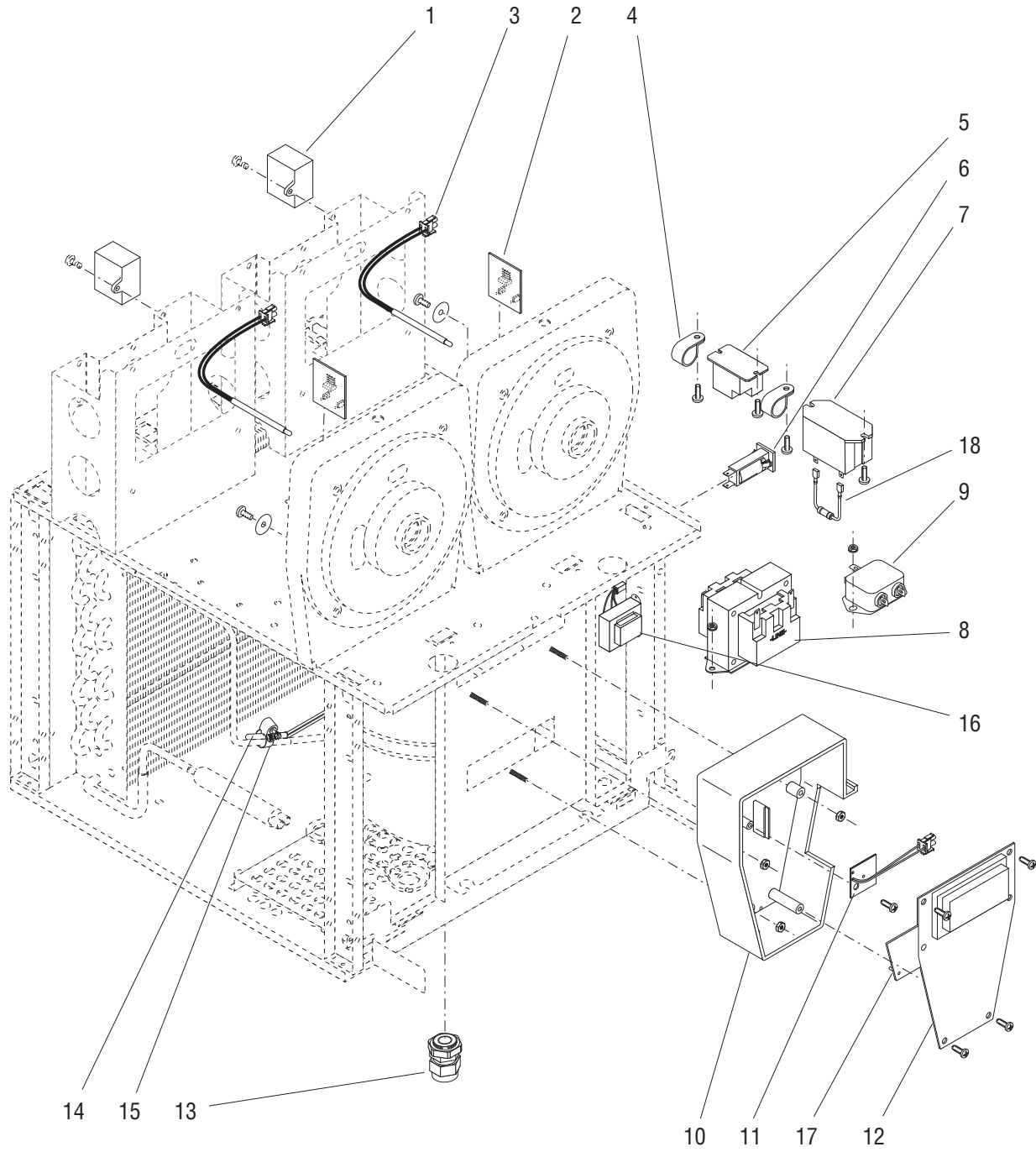


## ELECTRICAL AND OPERATING CONTROLS

ITEM	PART NO.	QTY.	DESCRIPTION
1	27178.0000	2	Capacitor, Auger Motor 370 VAC (120V)
	27178.0001	2	Capacitor, Auger Motor 500 VAC (230V)
2	38708.1000	2	Circuit Board, Torque Sensor (120/230V)
	02308.0000	2	Screw, Pan Head Serrated #8-32 x .375"
	02360.0000	2	Washer, .188" I.D. x .75" O.D.
3	27246.1000	2	Temperature Sensor (Includes Connector)
4	00604.0000	2	Clip
	01317.0003	2	Screw, Truss Head Locking #8-32 x .375"
5	32104.0000	1	Relay, Lighting
	01382.0000	2	Screw, Truss Head #6-32 x .38"
6	27181.0000	1	Circuit Breaker, 5 amp
7	37711.0000	1	Relay, 120V (ULTRA-2)
	37711.0001	1	Relay, 230V (ULTRA-2A)
	02308.0000	2	Screw, Pan Head Serrated #8-32 x .375"
8	27644.1002	1	Transformer, 120V 60 Hz
	27644.1004	1	Transformer, 230V 50/60 Hz
	27644.1005	1	Transformer, 115V (Spanish Models)
	00970.0000	2	Nut, Keps #8-32
9	29446.0006	1	EMI Filter (ULTRA-2A only)
	00970.0000	2	Nut, Keps #8-32
10	32121.0000	1	Box, Electronic Control
	00973.0000	3	Nut, Keps #6-32
11	32097.1001	1	Memory Clock Board
	24544.0000	1	Screw, Pan Head #8-18
			Early Models. Not required with 44039.#### Circuit Boards
12	44039.1000	1	Circuit Board Assy, Bilingual, Main 120V
	44039.1008	1	Circuit Board Assy, Bilingual, Main 230V
	24544.0000	4	Screw, Pan Head #8-18
13	05746.1000	1	Bushing, Strain Relief
14	32269.0000	1	Probe, Thermister
15	29421.0001	1	Clamp, Worm Drive
16	28860.0003	1	Transformer, 230V (Early Models)
	02308.0000	2	Screw, Pan Head Serrated #8-32 x .375"
	00970.0000	2	Nut, Keps #8-32
17	38983.1001	1	Circuit Board, Autofill (Models with LAF & CF Refill Systems)
18	40770.0000	1	Resistor (230V)

(Continued)

(Continued)



## ELECTRICAL AND OPERATING CONTROLS

ITEM	PART NO.	QTY.	DESCRIPTION
The following items are not illustrated:			
19	32263.0000	1	Harness, Main (120V)
	32263.0001	1	Harness, Main (230V)
	32263.0006	1	Harness, Main (Autofill Ready Models with NT2168 Compressor)
	32263.0007	1	Harness, Main (Autofill Ready Models with NT2168 Compressor)(Salt Air Resistant)
	00970.0000	1	Nut, Keps #8-32 (Grounding)
20	32163.0000	1	Harness, Membrane Switch to Electronic Control
	32163.0001	1	Harness, Membrane Switch to Electronic Control (Salt Air Resistant)
21	20630.0009	1	Power Cord 120V
	38074.0028	1	Power Cord 230V
	42749.0001	1	Power Cord 230V (KETI units)
22	37962.0000	1	Harness, Autofill Circuit Board to Syrup Valves (Models with Internal Autofill Option)
	37962.0001	1	Harness, Autofill Circuit to CF Valves 120V
	37962.0002	1	Harness, Autofill Circuit to CF Valves 230V
			} Models with LAF CF
23	40432.0000	1	Jumper, WHI EMI Filter (230V)
24	40432.0001	1	Jumper, BLK EMI Filter (230V)
25	40432.0002	1	Jumper, Compressor (230V)(Early Models)

## NUMERICAL INDEX

PART NO.	PAGE NO.	PART NO.	PAGE NO.	PART NO.	PAGE NO.	PART NO.	PAGE NO.
00430.0001.....	19	13255.0003.....	7	27403.0000.....	31	29591.0001.....	11,15
00604.0000.....	41	13255.0006.....	7	27404.0000.....	31	29591.0002.....	11,15
00617.0000.....	13,17,33,35,37	20622.0005.....	7	27405.0001.....	31	29702.1000.....	7
00707.0000.....	11,15	20630.0007.....	13,17	27406.0002.....	31	29724.0000.....	11,15
00778.0000.....	9	20630.0009.....	43	27407.0000.....	31	29726.0000.....	11
00906.0000.....	11,15	21275.0003.....	39	27407.0001.....	31	29726.0001.....	15
00908.0000.....	11,13	21275.0006.....	19,39	27408.0000.....	31	29742.0000.....	11,15
00927.0000.....	7	21436.0000.....	5	27411.0000.....	33,35,37	29763.0000.....	13,17
00927.0001.....	7	21437.1000.....	5	27440.0001.....	21	29844.0000.....	11,15
00970.0000.....	19,41,43	22126.0000.....	11,15	27442.0000.....	5	29844.0001.....	11,15
00971.0000.....	27	22749.0000.....	13	27445.1000.....	9	29936.0000.....	13
00973.0000.....	41	23700.0000.....	27,29,31	27446.0000.....	9	29940.1000.....	11
00973.0001.....	15	24457.0001.....	11,15	27551.0000.....	31	29940.1002.....	11
00986.0002.....	5,13,17	24544.0000.....	41	27607.1000.....	33,35,37	29941.1000.....	11
01085.0008.....	19	24566.0000.....	9	27607.1001.....	33,35,37	29941.1001.....	11
01311.0001.....	5,11,13,21,39	26528.0000.....	7	27613.0000.....	31	29941.1002.....	11
01315.0000.....	9,15,17	26780.0000.....	21	27641.0000.....	31,33,35,37	29941.1003.....	11
01317.0000.....	13,19,21	26781.0000.....	21	27642.0000.....	31,33,35,37	29942.0000.....	13
01317.0003.....	41	26791.0000.....	25	27643.1000.....	9	29942.0001.....	13
01326.0002.....	21	26791.0001.....	25	27644.1002.....	41	29943.0002.....	13
01330.0000.....	11,15	27058.0000.....	5	27644.1004.....	41	29943.0003.....	13
01377.0000.....	23	27058.0001.....	7	27644.1005.....	41	29943.1000.....	13
01382.0000.....	11,41	27058.0002.....	5	27748.0000.....	11,15	29943.1001.....	13
01382.0000.....	7	27058.0003.....	7	27788.0000.....	11,15	29948.0000.....	13,17
01384.0002.....	17	27058.0010.....	5	28027.0000.....	23	29948.0001.....	13,17
01393.0000.....	9	27058.0011.....	7	28081.0001.....	21	29959.0001.....	7
01501.0000.....	21	27058.0014.....	5	28086.0000.....	5	29959.0002.....	7
01511.0000.....	21	27058.0015.....	7	28086.0001.....	5	29959.8002.....	7
01521.0000.....	11	27131.0000.....	7	28093.1000.....	21	29967.1002.....	5
01522.0001.....	11,15	27131.0001.....	7	28093.1003.....	21	29976.0000.....	7
01532.0001.....	9	27136.0002.....	5	28098.0000.....	7	29979.0000.....	5
01663.0000.....	13,39	27136.0003.....	5	28111.0005.....	13	32068.0000.....	5
01666.0002.....	5,11,19,21,25,27	27178.0000.....	41	28122.0000.....	25	32068.0001.....	5
02308.0000.....	29,33,35,37,41	27178.0001.....	41	28236.0000.....	23	32069.1000.....	9
02314.0000.....	17	27179.0004.....	21	28645.0000.....	33,35	32069.1001.....	9
02322.0002.....	13,15,17	27179.0005.....	21	28651.0000.....	27,29,31	32079.0000.....	21
02329.0000.....	5	27181.0000.....	41	28755.0003.....	9	32082.0002.....	5
02332.0001.....	25,33,35,37,39	27219.0000.....	25	28756.1000.....	9	32082.0004.....	5
02332.0002.....	25,31	27219.0001.....	25	28770.0000.....	9	32084.0000.....	25
02335.0001.....	7,27,31	27220.0000.....	25	28776.0001.....	9	32084.0005.....	25
02360.0000.....	41	27221.0000.....	25	28860.0003.....	41	32084.0006.....	25
03354.0000.....	7	27223.0000.....	21	28925.0000.....	33,37	32084.0007.....	25
03628.0000.....	11,15	27224.0000.....	21	29084.0000.....	25	32084.0008.....	25
03851.0000.....	9,13,17	27228.0000.....	21	29084.0001.....	25	32085.0001.....	37
03993.0000.....	7	27231.0000.....	21	29084.0002.....	25	32086.0001.....	37
03996.0000.....	7	27231.0001.....	21	29159.0000.....	25	32087.0000.....	33,35,37
05746.0000.....	11,15	27232.0000.....	21	29160.0000.....	25	32088.0000.....	33,35,37
05746.1000.....	41	27232.0003.....	21	29160.0001.....	25	32092.0002.....	23
07070.0000.....	39	27243.0000.....	25	29373.0001.....	7	32092.0004.....	23
11556.0001.....	21	27246.1000.....	41	29421.0001.....	41	32092.0005.....	23
12421.1001.....	7	27257.0000.....	25	29446.0001.....	13	32092.1003.....	23
12421.1002.....	7	27258.0000.....	25	29446.0006.....	41	32094.0000.....	31
12421.1003.....	7	27394.0000.....	5	29446.0009.....	15	32095.0000.....	31
12422.0011.....	39	27394.0001.....	5	29481.0001.....	9	32096.0001.....	9



## NUMERICAL INDEX

PART NO.	PAGE NO.	PART NO.	PAGE NO.	PART NO.	PAGE NO.	PART NO.	PAGE NO.
32096.0002.....	9	32745.0028.....	39	37962.0000.....	43	43121.0000.....	19
32097.1001.....	41	32793.0000.....	7	37962.0001.....	43	43122.0002.....	19
32104.0000.....	11,15,41	32795.0002.....	27	37962.0002.....	43	43124.0000.....	19
32105.0000.....	9	32797.0000.....	27,29	38021.0000.....	9,39	43128.0000.....	19
32105.0001.....	9	32798.0000.....	27,29	38074.0028.....	43	43130.1001.....	19
32106.1000.....	21	32799.0002.....	27	38129.0005.....	19	43130.1002.....	19
32108.0002.....	21	32916.0002.....	9	38129.0017.....	19	43130.1003.....	19
32108.0006.....	21	33052.0000.....	27	38129.0023.....	19	43130.1004.....	19
32111.0000.....	5	33149.0000.....	39	38129.1000.....	19	43131.0000.....	19
32111.0001.....	5	33524.0000.....	11	38278.0003.....	25	43136.0000.....	7
32111.0002.....	5	33525.0000.....	11	38278.0016.....	25	43136.0001.....	7
32111.0003.....	5	33527.0000.....	11	38278.1002.....	25	43145.0000.....	19
32113.0000.....	33,35,37	33529.0011.....	17	38708.1000.....	41	43823.0000.....	19
32113.0002.....	33	34211.0000.....	33,35,37	38821.0005.....	29	43841.0000.....	19
32116.1000.....	5	34251.0000.....	27	38983.1001.....	41	43841.0001.....	19
32116.1001.....	5	34252.0001.....	27	39136.0000.....	27	43907.0000.....	19
32121.0000.....	41	34253.0000.....	27	39137.0000.....	27	43941.1000.....	19
32124.0000.....	7	34254.0002.....	27	39142.0000.....	27	43941.1001.....	19
32126.1004.....	5	34255.0002.....	27	39152.0000.....	27	44011.0002.....	19
32133.0000.....	33,37	34256.0000.....	33,35	39257.0000.....	9	44039.1000.....	41
32133.0001.....	35,37	34257.0000.....	33	39788.0000.....	27	44039.1008.....	41
32133.0002.....	33	34258.0000.....	33	39788.0001.....	29	44053.0000.....	35
32163.0000.....	43	34529.0000.....	27,29,31	39788.0003.....	29	44614.1000.....	9
32163.0001.....	43	34573.0000.....	13	39789.0000.....	27	44820.0004.....	29
32189.0000.....	9,21	34575.0000.....	13	39804.0000.....	27	44820.0005.....	29
32190.1000.....	9	34575.0001.....	15	39804.0004.....	29	44945.0000.....	19
32190.1001.....	9	34836.0001.....	21	39804.0005.....	29	45042.1000.....	19
32190.1003.....	9	34836.0002.....	21	39818.0000.....	27	45282.0000.....	29
32190.1005.....	9	35174.0003.....	39	39818.0001.....	29	46331.0001.....	9
32191.0000.....	9	35980.0008.....	29	39818.0002.....	29	46341.0000.....	19
32193.0000.....	9	35980.1004.....	29	39819.0000.....	27	47237.0000.....	15
32195.0000.....	9	35980.1005.....	29	39819.0004.....	29	47237.0001.....	15
32196.0000.....	9	36182.1004.....	5	39819.0005.....	29	47243.0000.....	15
32196.0001.....	9	36182.1005.....	5	39820.0000.....	27	47243.0001.....	15
32197.0000.....	11,15	36182.1006.....	7	39820.0001.....	29	47243.0002.....	15
32212.0001.....	13	36182.1007.....	7	39821.0000.....	27	47243.0003.....	15
32256.0000.....	33,35,37	36187.0000.....	7	39833.0000.....	27	47244.0000.....	17
32257.0000.....	33,35,37	36188.0000.....	7	39833.0004.....	29	47244.0001.....	17
32263.0000.....	43	36196.0000.....	35	39833.0005.....	29	47245.0000.....	15
32263.0001.....	43	36198.0000.....	35	39885.0000.....	27	47280.0001.....	15
32263.0006.....	43	36329.0002.....	25,33,35,37	39885.0001.....	29	47315.1000.....	9
32263.0007.....	43	37593.0000.....	21	39967.0000.....	9	47315.1001.....	9
32265.0001.....	9	37711.0000.....	41	40432.0000.....	43	51696.0000.....	5,11,17
32266.0000.....	9	37711.0001.....	41	40432.0001.....	43	M2316.1001.....	33
32267.1000.....	13,17	37878.0000.....	39	40432.0002.....	43	M2316.1000.....	35
32267.1000.....	9	37883.0000.....	7	40770.0000.....	41	M2316.1000.....	37
32268.1000.....	9	37883.0002.....	7	42175.0002.....	23	M2548.1001.....	23
32268.1001.....	9	37906.0002.....	7	42175.0003.....	23		
32269.0000.....	41	37906.0006.....	7	42193.0000.....	19		
32449.0000.....	21	37931.0000.....	39	42749.0001.....	43		
32580.0000.....	5	37933.0000.....	39	42921.0000.....	9,39		
32580.0000.....	5,7	37933.0001.....	39	43115.0000.....	19		
32632.0000.....	11	37933.0002.....	39	43118.0000.....	21		
32745.0027.....	39	37958.0000.....	39	43118.0001.....	21		