



## **Counter Electric Beverage Dispensers Parts List CEV Series**

**CEVi-30**

**Refrigeration Deck**

**CEVe-30**

**Universal Refrigeration Control**

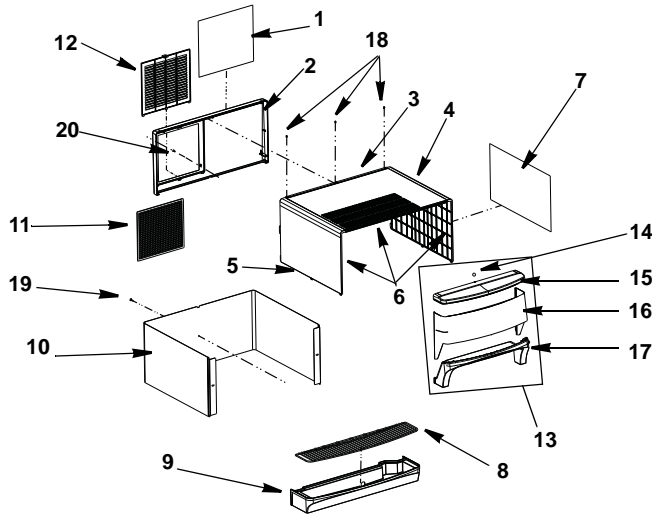
**CEVi-40**

**Vertical Carb Tank**

**CEVe-40**

**CEVj-30**

# CEVi, CEVe, & CEVj 30/40 Panels & Exterior

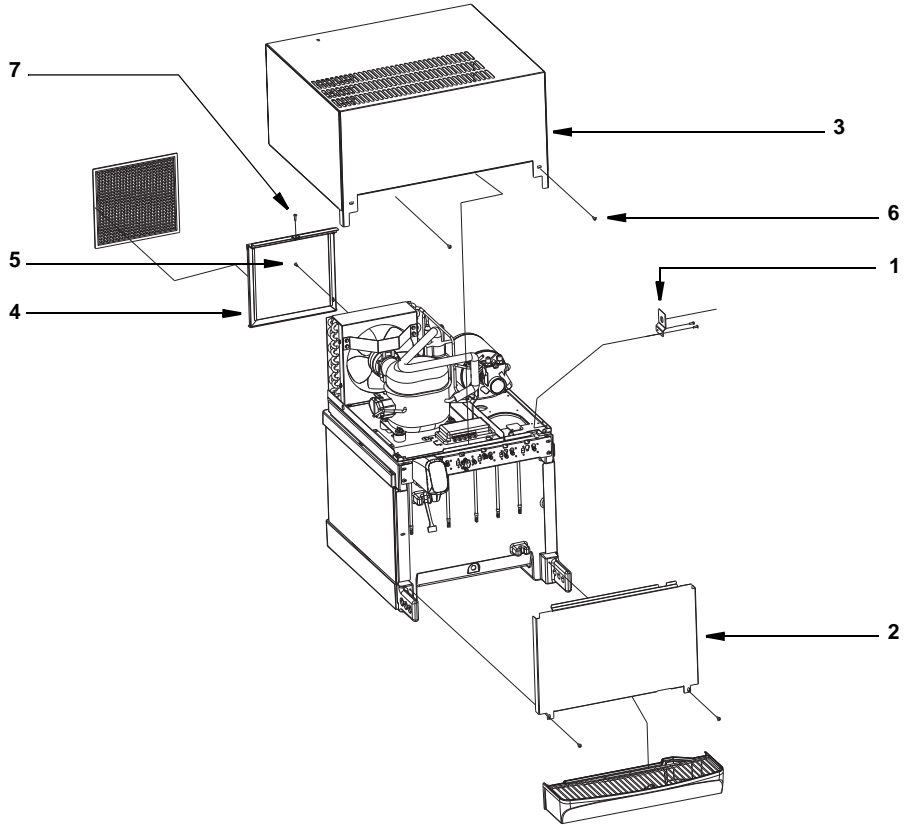


5014044

## DESCRIPTION

	DESCRIPTION	PART NO.
1	<b>Rear Bonnet Decal</b>	
	a. Quench - CEV-30	5012613
	b. Quench - CEV-40	5013366
	c. Pepsi - CEV-30	5012525
	d. Pepsi - CEV-40	5013368
	e. 7UP - CEV-30	5013785
	f. 7UP - CEV-40	5013786
	g. Dr Pepper - CEV-30	5013574
	h. Dr Pepper - CEV-40	5013748
2	<b>Bonnet Rear Panel</b>	
	a. CEV-30	5012077
	b. CEV-40	5012896
3	<b>Bonnet Top Wrap</b>	
	a. CEV-30	5012078
	b. CEV-40	5012897
4	<b>Bonnet Right Side</b>	
	a. Wrap	5012539
	b. Kit - For Major Change Codes 01 - 04	5029461
5	<b>Bonnet Left Side</b>	
	a. Wrap	5012079
	b. Kit - For Major Change Codes 01 - 04	5029460
6	<b>Bonnet Wrap Kit</b>	
	a. CEV-30	5029462
	b. CEV-40	5029463
	c. Welded Marine Bonnet	5031537
	d. Bonnet Injection Molded	5013389
7	<b>Side Bonnet Decal</b>	
	a. Quench	5012614
	b. Pepsi	5012524
	c. 7UP	5013784
	d. Dr Pepper	5013573
	e. Juice	5027577
8	<b>Drain Pan Grid</b>	
	a. CEV-30	5012512
	b. CEV-40	5013360
9	<b>Drain Pan with Fitting</b>	
	a. CEV-30	5012931
	b. CEV-40	5013352
10	<b>Panel Wrap with Gasket</b>	
	a. CEV-30	020003646
	b. CEV-40	5013355
11	Air Filter - 10" x 10.69"	5009191
12	Filter Panel	5012100
13	<b>Merchandiser Bonnet</b>	
	a. Quench - CEV-30	5012929
	b. Quench - CEV-40	5013370
	c. Pepsi - CEV-30	5012520
	d. Pepsi - CEV-40	5013371
	e. 7UP - CEV-30	5013800
	f. 7UP - CEV-40	5013799
	g. Dr Pepper - CEV-30	5013581
	h. Dr Pepper - CEV-40	5027477
	i. Juice - CEV-30	020003643
14	Merchandiser Washer	020003009
15	<b>Merchandiser Top</b>	
	a. CEV-30	5012521
	b. CEV-40	5012899
16	<b>Medallion</b>	
	a. Quench - CEV-30	5013701
	b. Quench - CEV-40	5013704
	c. Pepsi - CEV-30	020003645
	d. Pepsi - CEV-40	5013703
	e. 7UP - CEV-30	5013792
	f. 7UP - CEV-40	5013791
	g. Dr Pepper - CEV-30	5013702
	h. Dr Pepper - CEV-40	5027476
	i. Juice - CEV-30	5013746
17	<b>Merchandiser Bottom with Lens</b>	
	a. CEV-30	5012928
	b. CEV-40	5012930
<b>Miscellaneous - Brackets, Screw, Etc.</b>		
18	Screw, 6-19 x 5/16 Steel PH HL	5011935
19	Screw, #8 x 3/4 Stainless Steel PH TR	5013485
20	Screw, 8-32 x 1/2" Stainless Steel FH PH F	0900504

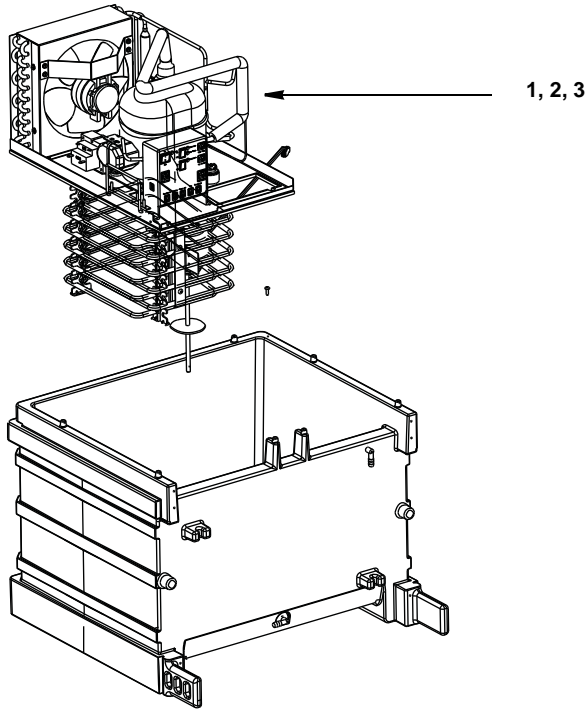
## CEVi, CEVe, & CEVj Metal Bonnet



5031657

<b>DESCRIPTION</b>	<b>PART NO.</b>
1 Bracket Keyswitch .....	5031050
2 Panel Splash .....	5031055
<b>3 Bonnet Welded</b>	
a. Marine (CEV30) .....	5031537
b. SS (CEV40) .....	020002778
<b>Miscellaneous - Brackets, Screw, Etc.</b>	
4 Bracket Condenser Top And Rear .....	5031539
5 Screw 8-32 X 1/2 Flat Head .....	0900504
6 Screw 8-32 X 1/2 SS PH HD TR .....	0901005
7 Screw 8 X 3/4" SS PH TR .....	5013485

# CEVi, CEVe, & CEVj 30/40 Refrigeration Decks

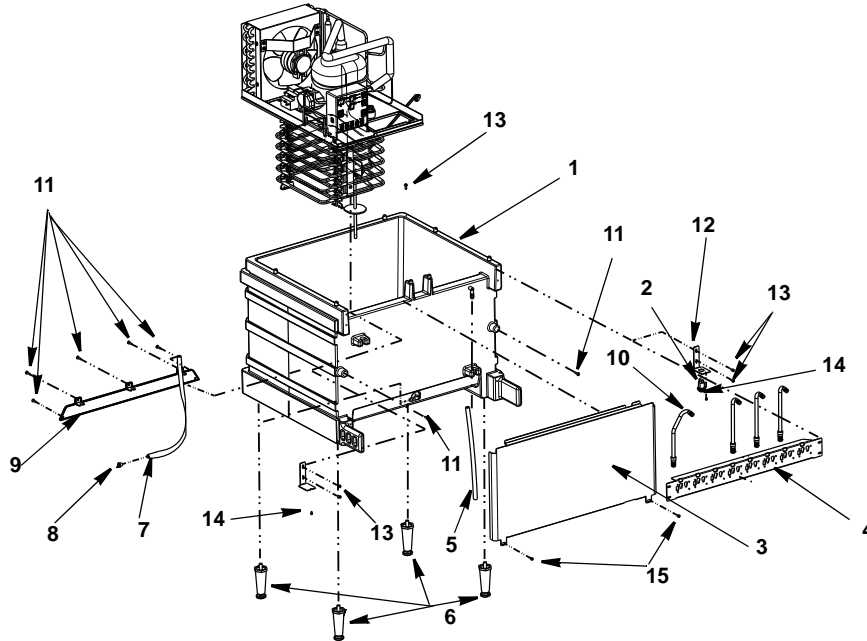


5014044  
Units built prior to January  
2007 use different  
Refrigeration Decks.

## DESCRIPTION

		<b>PART NO.</b>
<b>1</b>	<b>Refrigeration Deck (Internal Carbonated)</b>	
a.	115V / 60Hz with Light Kit (Built Prior to January 2007) . . . . .	5027859
b.	115V / 60Hz with Light Kit (Built January 2007 to Present) . . . . .	020001575
c.	115V / 60Hz no Light Kit (Built Prior to January 2007) . . . . .	5012491
d.	115V / 60Hz no Light Kit (Built January 2007 to Present) . . . . .	020001576
e.	208-230 / 60Hz with Light Kit (Built Prior to January 2007) . . . . .	5027860
f.	208-230 / 60Hz with Light Kit (Built January 2007 to Present) . . . . .	020001581
g.	208-230 / 60Hz no Light Kit (Built Prior to January 2007) . . . . .	5012702
h.	208-230 / 60Hz no Light Kit (Built January 2007 to Present) . . . . .	020001584
i.	208-230 / 50Hz with Light Kit (Built Prior to January 2007) . . . . .	5027861
j.	208-230 / 50Hz with Light Kit (Built January 2007 to Present) . . . . .	020001587
k.	208-230 / 50Hz no Light Kit (Built Prior to January 2007) . . . . .	5012802
l.	208-230 / 50Hz no Light Kit (Built January 2007 to Present) . . . . .	020001590
<b>2</b>	<b>Refrigeration Deck (External Carbonated)</b>	
a.	115V / 60Hz with Light Kit (Built Prior to January 2007) . . . . .	5027865
b.	115V / 60Hz with Light Kit (Built January 2007 to Present) . . . . .	020001578
c.	115V / 60Hz no Light Kit (Built Prior to January 2007) . . . . .	5014023
d.	115V / 60Hz no Light Kit (Built January 2007 to Present) . . . . .	020001579
e.	208-230 / 60Hz with Light Kit (Built Prior to January 2007) . . . . .	5027866
f.	208-230 / 60Hz with Light Kit (Built January 2007 to Present) . . . . .	020001583
g.	208-230 / 60Hz no Light Kit (Built Prior to January 2007) . . . . .	5014024
h.	208-230 / 60Hz no Light Kit (Built January 2007 to Present) . . . . .	020001586
i.	208-230 / 50Hz with Light Kit (Built Prior to January 2007) . . . . .	5027867
j.	208-230 / 50Hz with Light Kit (Built January 2007 to Present) . . . . .	020001589
k.	208-230 / 50Hz no Light Kit (Built Prior to January 2007) . . . . .	5014025
l.	208-230 / 50Hz no Light Kit (Built January 2007 to Present) . . . . .	020001592
<b>3</b>	<b>Refrigeration Deck (Juice)</b>	
a.	115V / 60Hz with Light Kit . . . . .	5027862
b.	115V / 60Hz no Light Kit . . . . .	5013731
c.	208-230 / 60Hz with Light Kit . . . . .	5027864
d.	208-230 / 60Hz no Light Kit . . . . .	5013861
e.	208-230 / 50Hz with Light Kit . . . . .	5027863
f.	208-230 / 50Hz no Light Kit . . . . .	5013860

# CEVi, CEVe, & CEVj 30/40 Tub, Legs, & Splash Panel



5014044

## DESCRIPTION

### 1 Ice Bank Tub with Fittings

- a. CEV-30 .....
- b. CEV-40 .....

### 2 Key Switch

### 3 Splash Panel

- a. CEV-30 .....
- b. CEV-40 .....

### 4 Valve Mount Cap

- a. CEV-30 5 Valve .....
- b. CEV-30 6 Valve .....
- c. CEV-40 8 Valve .....

### 5 Overflow Tube

### 6 Legs

- a. Kit - 2" OD x 4-6" in Tall SS .....
- b. Kit - 4" Black Plastic .....

### 7 Tub Drain Tube

### 8 Plastic Plug Cap

### 9 Access Cover

- a. CEV-30 .....
- b. CEV-40 .....

### 10 CEVj-30 Syrupvalve Tube

### Miscellaneous - Brackets, Screw, Etc.

- 11 Screw, #8 x 3/4 Stainless Steel PH TR .....

### 12 Key Switch Bracket

- a. CEV with Metal Bonnet .....

- 13 Screw, 8-32 x 1/2" ES Form .....

- 14 Screw, 6-19 x 5/16" Steel Pan HL .....

- 15 Screw, #8 x 1/2" Stainless Steel PH HDTR .....

## PART NO.

020001884

020001885

5000220

5011790

5012910

5027585

5011906

5012904

5013286

020000701

5000684

5013287

5012475

5013111

5013110

5013841

5013485

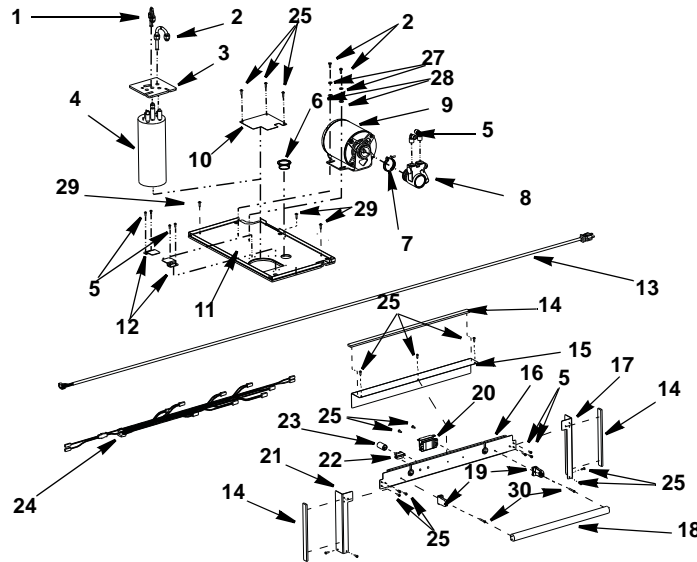
5031050

5011940

5011935

0901005

# CEVi, CEVe, & CEVj 30/40 Carb Pump Deck & Electrical

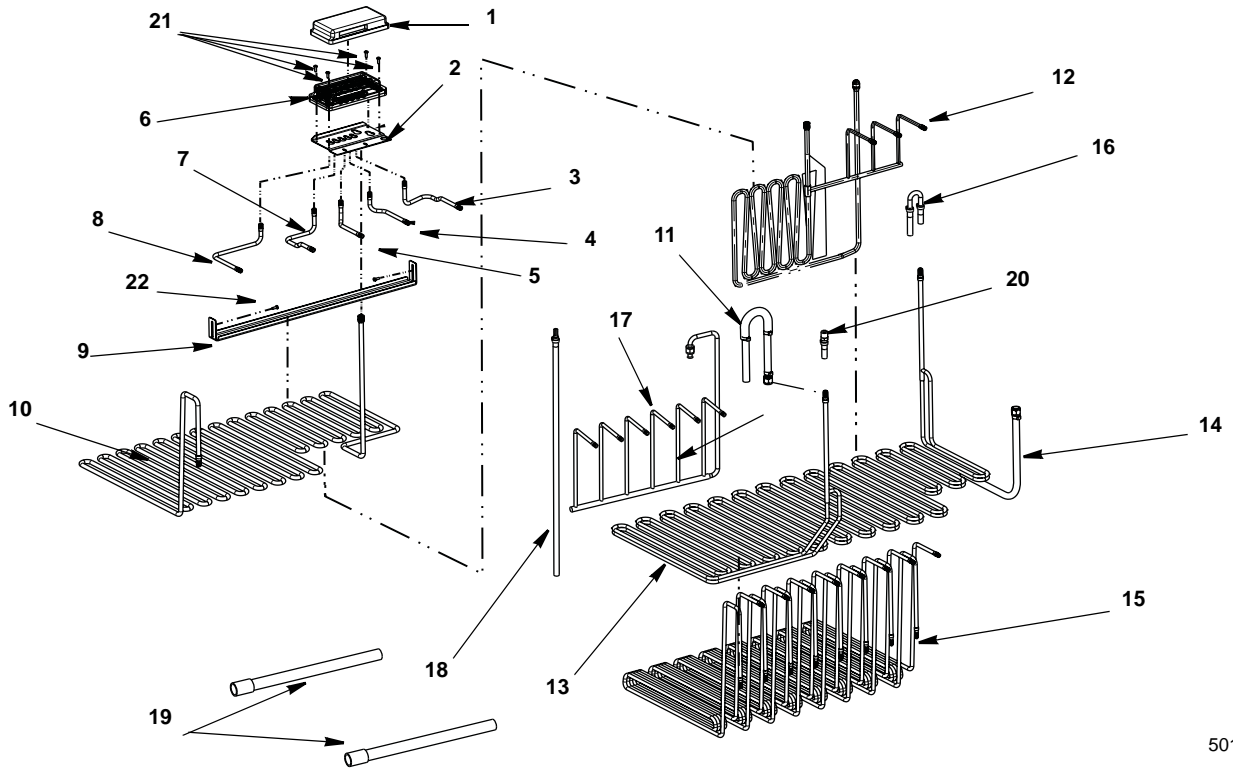


5014044  
43-1602

## DESCRIPTION

	<b>DESCRIPTION</b>	<b>PART NO.</b>
1	Tube - Carb Tank to Post Chill (Internal Carb Units) . . . . .	5011921
2	Tube - Water Coil to Carb Tank (Internal Carb Units) . . . . .	5011920
3	Carb Tank Gasket (Internal Carb Units) . . . . .	5012753
4	<b>Carbonator Tank (Internal Carb Units) See Also Page 12</b>	
	a. 115V McCanns . . . . .	43-1600-10
	b. 220V McCanns) . . . . .	43-1602
5	Elbow Fitting, 3/8" x 3/8" NPT (Internal Carb Units) . . . . .	5009983
6	Hole Fill Plug, 1-1/2" Diameter . . . . .	5008805
7	Carb Pump Clamp (Internal Carb Units) . . . . .	5009036
8	Carb Pump Head (Internal Carb Units) . . . . .	5009613
9	<b>Carbonator Pump Motor (Internal Carb Units)</b>	
	a. 115V . . . . .	5028931
	b. 220V . . . . .	5009598
10	Carb Tank Area Cover (External Carb & Juice Units) . . . . .	5013727
11	<b>Carbonator Pump Deck</b>	
	a. CEV-30 . . . . .	5011795
	b. CEV-40 . . . . .	5012907
12	Carb Tank Restraint Bracket . . . . .	5028833
13	<b>Electrical Cord</b>	
	a. 115V / 60Hz. . . . .	5029495
	b. 220V / 50Hz & 60Hz . . . . .	5029494
14	Foam Block Gasket . . . . .	5007756
15	<b>Light Cover Panel</b>	
	a. CEV-30 . . . . .	5013365
	b. CEV-40 . . . . .	5013609
16	<b>Light Panel Front Bracket</b>	
	a. CEV-30 60Hz . . . . .	020001008
	b. CEV-40 60Hz . . . . .	020001010
	c. CEV-30 50Hz . . . . .	020001039
	d. CEV-40 50Hz . . . . .	020001038
17	<b>Light Panel Right Side Bracket</b>	
	a. CEV-30 & 40 60Hz . . . . .	020001007
	b. CEV-30 50Hz . . . . .	020001050
	c. CEV-40 50Hz . . . . .	020001007
18	18" Fluorescent Tube. . . . .	1000309
19	<b>Light End Socket Kit</b>	
	a. CEV-30 & 40 60Hz . . . . .	1001001
	b. CEV-30 & 40 50Hz . . . . .	5013617
20	<b>Ballast</b>	
	a. CEV-30 & 40 115V/60Hz. . . . .	5008644
	b. CEV-30 & 40 220V/60Hz. . . . .	5000349
	c. CEV-30 & 40 230V/50Hz. . . . .	5013434
21	<b>Light Panel Left Side Bracket</b>	
	a. CEV-30 & 40 60Hz . . . . .	020001009
	b. CEV-30 50Hz . . . . .	020001049
	c. CEV-40 50Hz . . . . .	020001009
22	<b>Starter Base</b>	
	a. CEV-30 & 40 60Hz . . . . .	020002168
	b. CEV-30 & 40 50Hz CE . . . . .	5013279
23	<b>Starter</b>	
	a. CEV-30 & 40 60Hz . . . . .	1001005
	b. CEV-30 & 40 50Hz CE . . . . .	5013278
24	Valve Leads . . . . .	5009970
	<b>Miscellaneous - Brackets, Screw, Etc.</b>	
25	Screw, 8-32 x 1/2" ES Form . . . . .	5011940
26	Screw, 10-32 x 5/8" SL HX Stainless Steel . . . . .	5010842
27	Lock Washer 1/4" Stainless Steel . . . . .	0901904
28	Flat Washer 1/4" Stainless Steel . . . . .	0901905
29	Screw, #8 x 3/4 Stainless Steel PH TR . . . . .	5013485
30	Screw, 8-32 x 1-1/4" PH PS. . . . .	5000974

## CEVi, CEVe, & CEVj 30/40 Manifolds & Lines

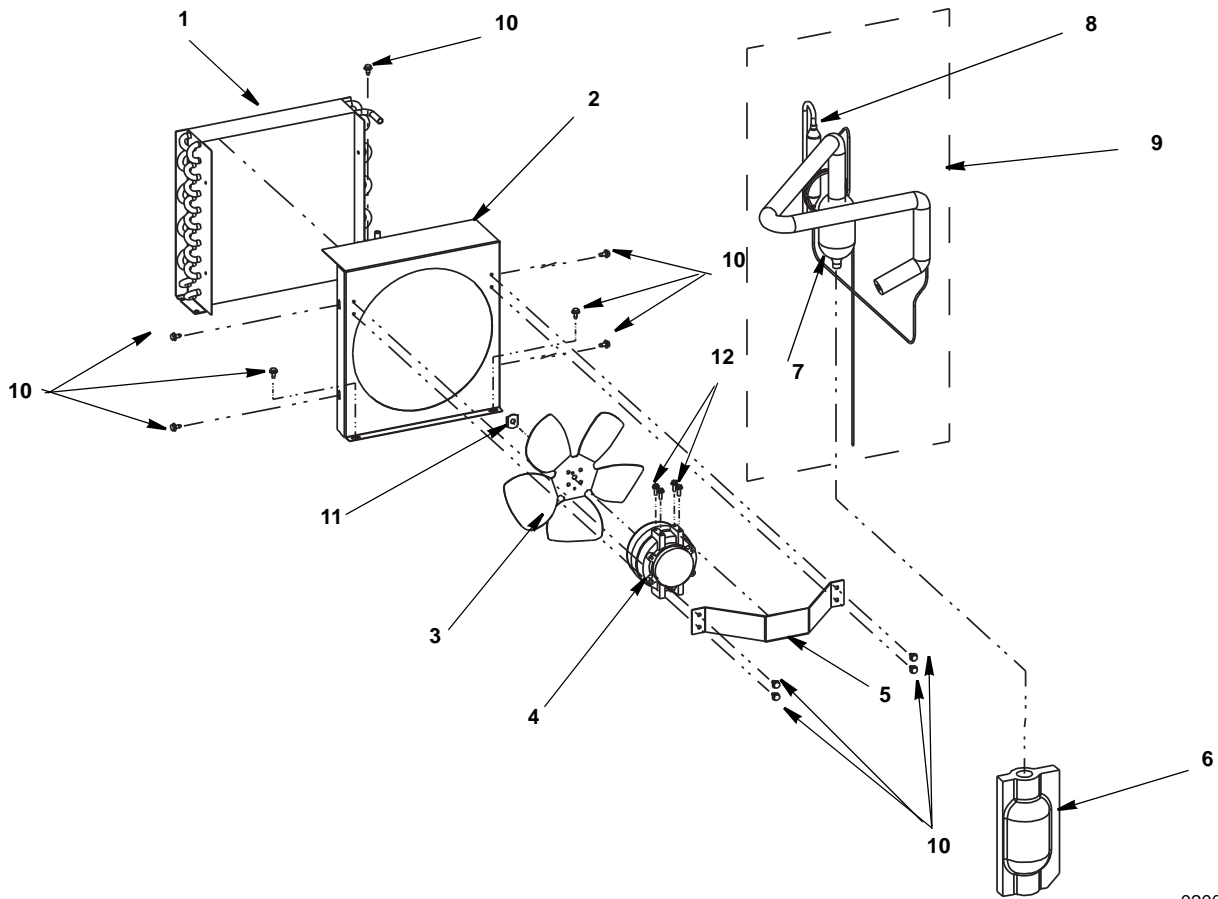


5014044

### DESCRIPTION

	PART NO.
1 Manifold Insulation . . . . .	5010332
2 Manifold Retaining Plate . . . . .	5012053
3 Water Tube - Valve 6 & 8 #5 . . . . .	5011928
<b>4 Water Tube</b>	
a. CEV-30 & 40 - Valve 6 & 8 #4 . . . . .	5011929
b. CEV-30 - Valve 5 #4 . . . . .	5027723
<b>5 Water Tube</b>	
a. CEV-30 & 40 - Valve 6 & 8 #3 . . . . .	5011931
b. CEV-30 - Valve 5 #3 . . . . .	5027722
<b>6 Flex Manifold</b>	
a. CEV-30 - 4 Port Manifold . . . . .	020000986
b. CEV-30 & 40 - 5 Port Manifold . . . . .	020000987
7 Water Tube Valve 5, 6 & 8 #2 . . . . .	5011931
<b>8 Water Tube</b>	
a. CEV-30 & 40 - Valve 6 & 8 #1 . . . . .	5011927
b. CEV-30 - Valve 5 #1 . . . . .	5027721
<b>9 Tube Restraint Bracket</b>	
a. CEV-30 . . . . .	020001880
b. CEV-40 . . . . .	020001881
10 Non-Carbonated Water Coil . . . . .	5011857
11 Coil to Tank U-bend . . . . .	5030426
<b>12 Post Chil Coil</b>	
a. CEV-30 . . . . .	020002717
b. CEV-40 . . . . .	020002719
13 Carbonated Water Coil with Barbs . . . . .	5028862
14 16" Coil & Tank Tube . . . . .	5028885
15 Syrup Coil . . . . .	5011756
16 Jumper Tube (CEVj-30) . . . . .	5029418
17 Non-Carbonated Manifold (CEVj-30) . . . . .	5013741
18 Water Inlet Line (CEVj-30) . . . . .	5029417
19 Drain Tube Spacer (CEVj-30) . . . . .	4340019
20 Splicer Tube (CEVj-30) . . . . .	5029419
<b>Miscellaneous - Brackets, Screw, Etc.</b>	
21 Screw, 8-32 x 5/8" T410 TRI Lobe SS HH . . . . .	020000992
22 Screw, #8 x 1/2" Stainless Steel PH HDTR . . . . .	0901005

## CEVi, CEVe, & CEVj 30/40 Refrigeration Deck



020001002

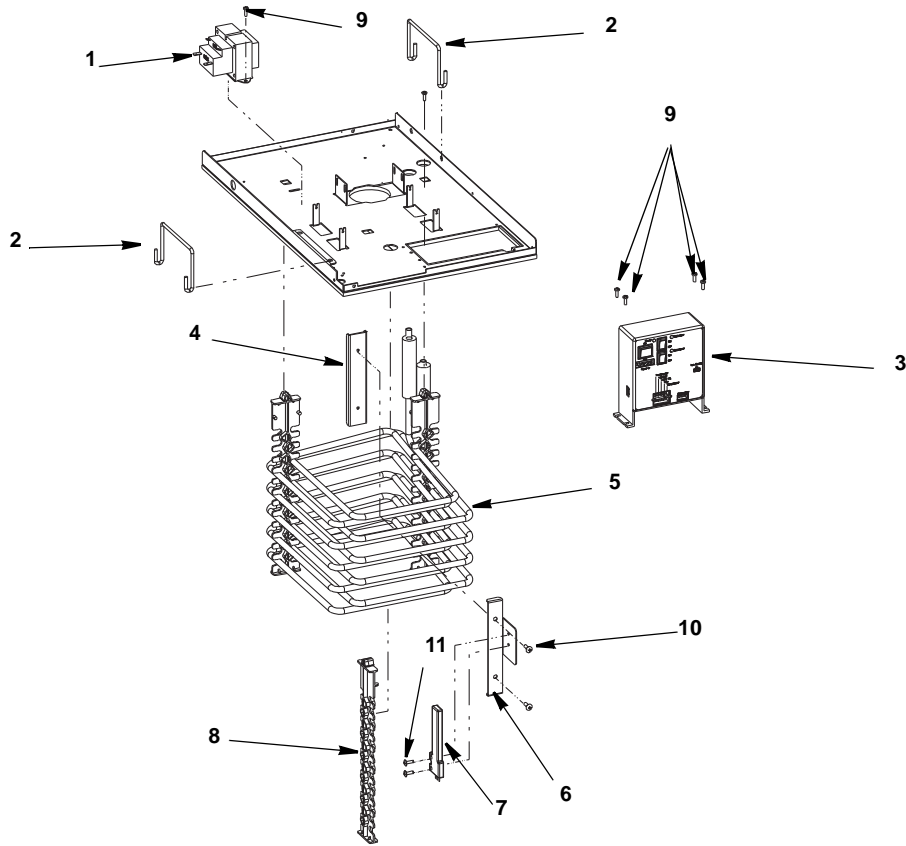
**DESCRIPTION**

**PART NO.**

1	Air Condenser.....	5011670
2	Fan Shroud.....	5011766
3	Fan Blade.....	M2416293
<b>4</b>	<b>Condenser Fan Motor</b>	
	a. 115V / 60Hz Serial # 610014164 and Up.....	000001354
	b. 115V / 60Hz Prior to Serial # 610014164.....	M2413203
	c. 208-230V / 50-60Hz.....	000001355
5	Fan Motor Mount.....	M6036851
6	Accumulator Insulation Boot.....	M4007393
7	Accumulator.....	M8900153
8	Service Replacement Drier.....	M8930293
9	Heat Exchanger with Cap Tube.....	5028297
<b>Miscellaneous - Brackets, Screw, Etc.</b>		
10	Screw 10-24 x 3/8" Slot Hex (MII Part #).....	5202103
11	Speed Nut 1/4-20.....	M5475073
12	Screw, 8-32 x 7/16" Hex.....	M5025593



## CEVi, CEVe, & CEVj 30/40 Refrigeration Deck

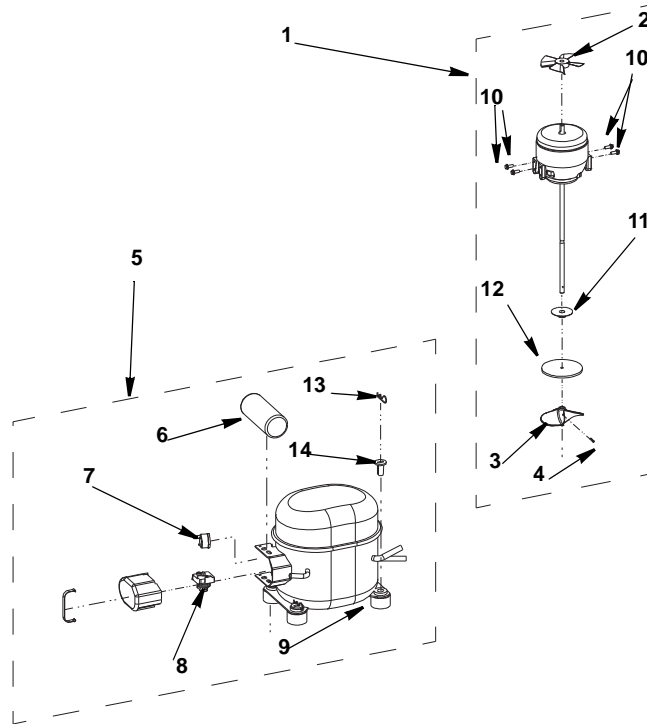


020001002

### DESCRIPTION

	<b>PART NO.</b>
<b>1 Transformer</b>	
a. 75VA 120V with Breaker . . . . .	5008229
b. 230V 60Hz with Breaker . . . . .	5007111
c. 240V 50Hz with Breaker . . . . .	5012758
<b>2 Refrigeration Deck Handle . . . . .</b>	<b>5012517</b>
<b>3 Universal Refrigeration System Control (See Also Page 11)</b>	
a. Control Box Only . . . . .	020002280
b. Control Box with 115v Harness . . . . .	020002157
c. Control Box with 220v Harness . . . . .	020002158
<b>4 Back Probe Bracket . . . . .</b>	<b>5012372</b>
<b>5 Evaporator Coil Tube . . . . .</b>	<b>5011720</b>
<b>6 Front Probe Bracket . . . . .</b>	<b>5012373</b>
<b>7 Ice Control Harness . . . . .</b>	<b>020000573</b>
<b>8 Injection Molded Evaporator Coil Spacer . . . . .</b>	<b>4005213</b>
<b>Miscellaneous - Brackets, Screw, Etc.</b>	
<b>9 Screw, 8-32 x 1/2" ES Form . . . . .</b>	<b>5011940</b>
<b>10 Screw, 10-32 x 3/4" (MII Part #) . . . . .</b>	<b>5004043</b>
<b>11 Screw, 8-32 x 1/2" Stainless Steel PH HD TR . . . . .</b>	<b>0901005</b>

## CEVi, CEVe, & CEVj 30/40 Refrigeration Deck

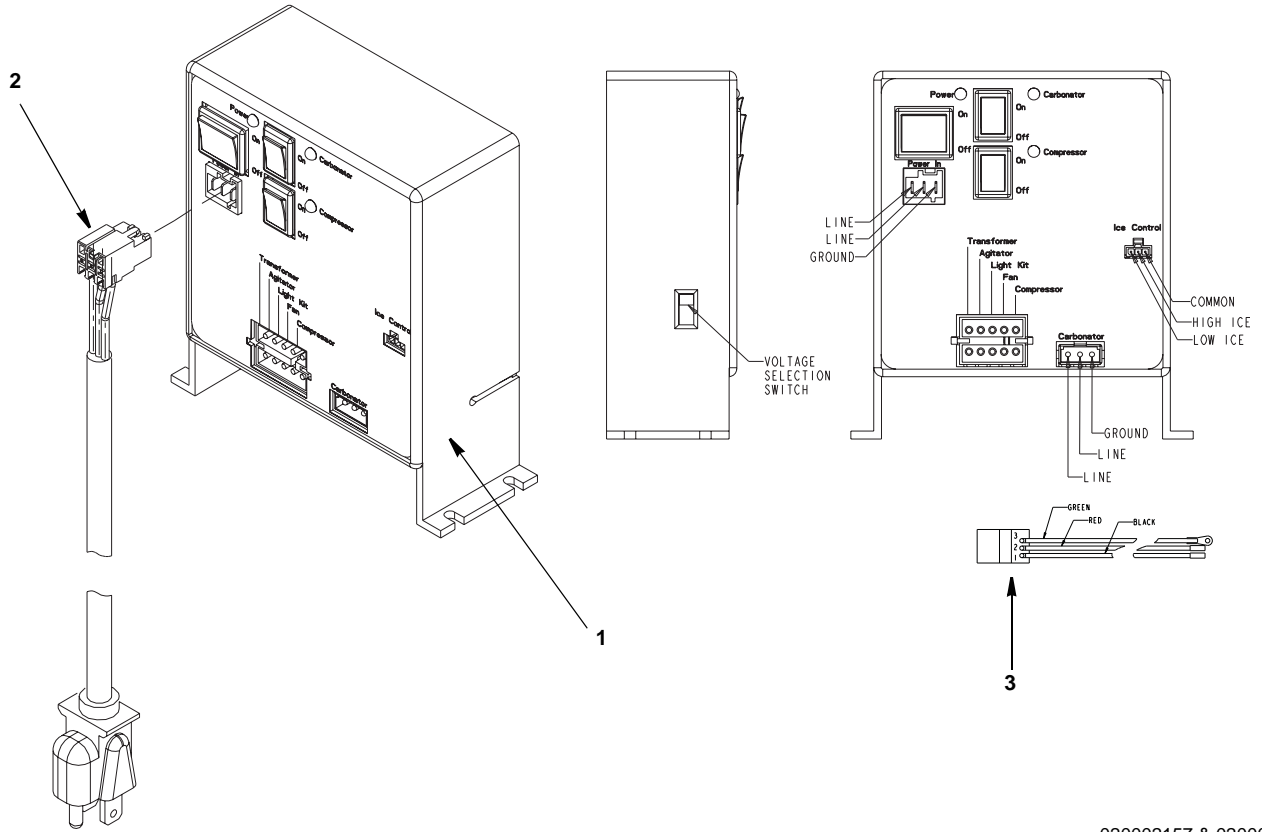


020001002

### DESCRIPTION

	<b>PART NO.</b>
<b>1 Agitation Motor</b>	
a. 115V / 60Hz . . . . .	020001063
b. 208-230V / 60Hz . . . . .	020001064
c. 220-240V / 50Hz . . . . .	020001065
<b>2 Air Agitator Motor Blade . . . . .</b>	<b>M2416323</b>
<b>3 Plastic Propeller (3.1" Diameter) . . . . .</b>	<b>00751210</b>
<b>4 Roll Pin . . . . .</b>	<b>5010761</b>
<b>5 Compressor Kit</b>	
a. 115V / 60Hz . . . . .	5028436
b. 208-230V / 60Hz . . . . .	5028434
c. 220-240V / 50Hz . . . . .	5028435
<b>6 Compressor Start Capacitor</b>	
a. 115V / 60Hz . . . . .	N/A
b. 208-230V / 60Hz . . . . .	5011389
c. 220-240V / 50Hz . . . . .	5028448
<b>7 Compressor Overload</b>	
a. 115V / 60Hz . . . . .	5025372
b. 208-230V / 60Hz . . . . .	5011386
c. 220-240V / 50Hz . . . . .	5028447
<b>8 Compressor Start Relay</b>	
a. 115V / 60Hz . . . . .	5009197
b. 208-230V / 60Hz . . . . .	5011385
c. 220-240V / 50Hz . . . . .	5028446
<b>9 Rubber Grommet . . . . .</b>	<b>M8503063</b>
<b>Miscellaneous - Brackets, Screw, Etc.</b>	
10 Screw, 8-32 x 7/16" Hex . . . . .	M5025593
11 Water Slinger Washer . . . . .	00377102
12 Water Slinger Washer (Anti-Vortex) . . . . .	00219398
13 Hitch Pin Clip . . . . .	5012374
14 Injection Molded Grommet Sleeve . . . . .	5012021

# CEVi, CEVe, & CEVj Universal Refrigeration Control

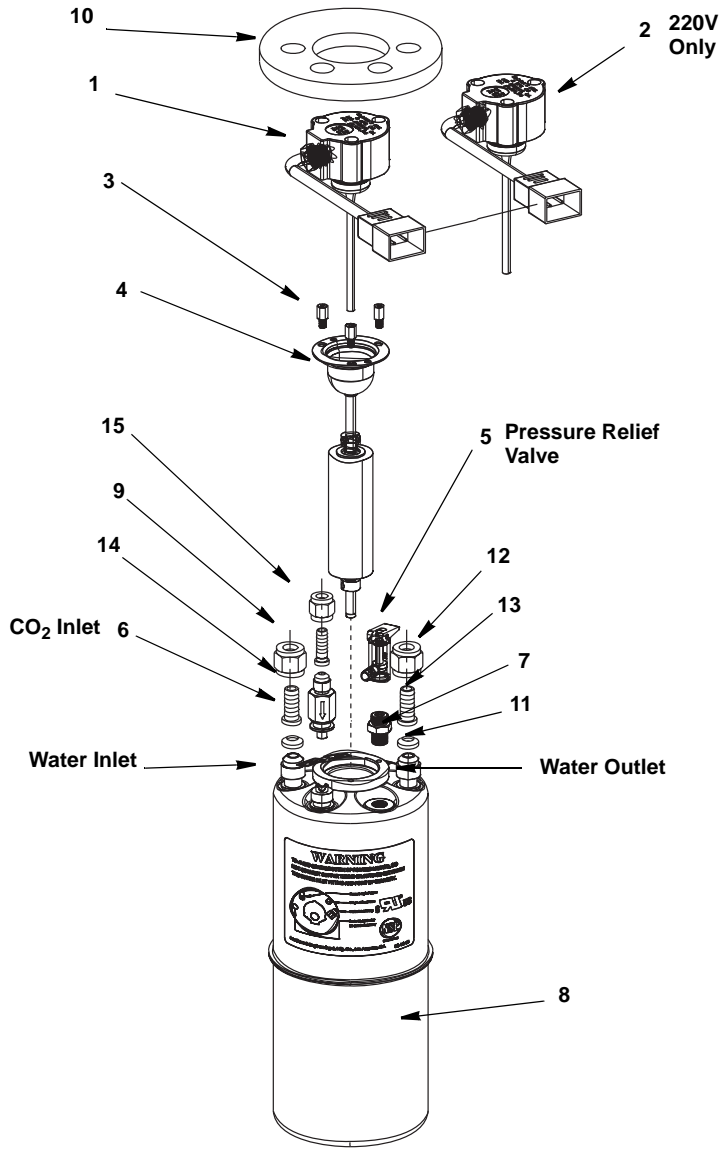


020002157 & 020002158

## DESCRIPTION

	PART NO.
<b>1 Universal Refrigeration Control</b>	
a. Control Box Only . . . . .	020002280
b. Control Box with 115v Harness . . . . .	020002157
c. Control Box with 220v Harness . . . . .	020002158
<b>2 Power In Harness</b>	
a. 115v . . . . .	5029495
b. 220v . . . . .	5029494
<b>3 Carbonator Tank Leads</b>	
a. Double Probe Carbonator Lead . . . . .	5012537

# MCCANN'S VERTICAL CARB TANK



43-1600-10  
43-1602

## DESCRIPTION

<b>1 Assembly Probe 115V</b>	
a. Probe Spare Parts Kit	16-1404
b. Driving Solenoid 115V Electrical, Black Cap	16-2115-41
<b>2 Assembly Probe 220V</b>	
a. Probe Spare Parts Kit	16-1406
b. Driving Solenoid 220V Electrical, Black Cap	16-2220
3 Probe Stud	09-1877
4 Probe Float Ring Assembly - 115v/220V	15-1951
5 Pressure Relief Valve - 125 psi with Barb.	19-0898
6 Carbonator Single Check Valve - 1/4 Male Flare	00701312
7 Fitting - .125 NPT X PRV, S.S. Adapter	19-0934
8 Carbonator Assembly - 10" Weld	15-3119
9 Fitting, 1/4 In. Swivel Hose Barb.	1701109
10 Insulated Domed Carb	5031855
<b>Miscellaneous - Brackets, Screw, Etc.</b>	
11 Washer, 3/8" Nylon White	1701115
12 Nut, 3/8 X 9/16 In. Swivel Fitting.	1701110
13 Swivel Fitting, 1/4 In. 3/8" Barb.	5009025
14 Washer, 1/in. Nylon White.	1701113
15 Nut, 1/4 X 3/8 In. Swivel Fttg	1701108