

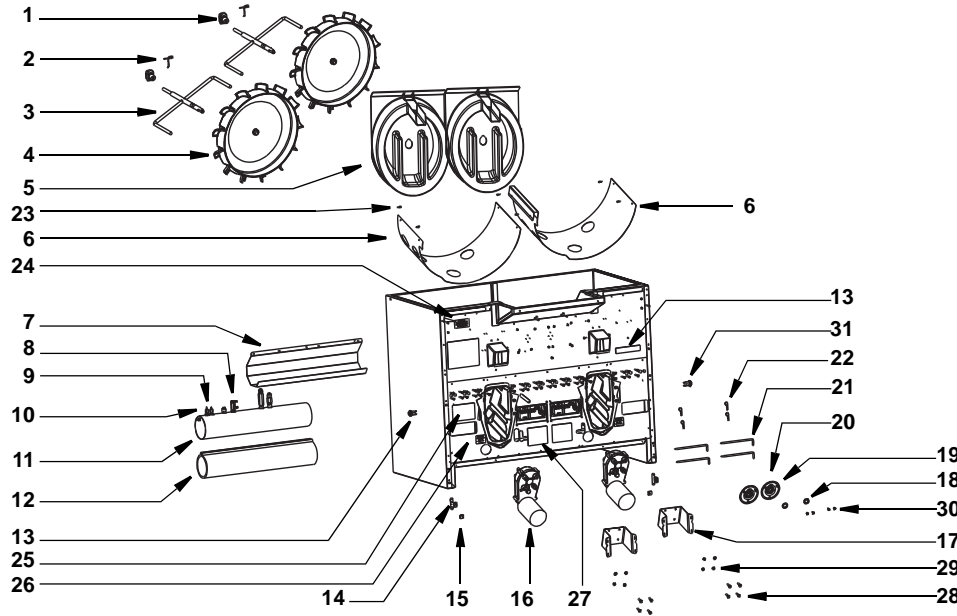


Parts List MDH Series, Icepic & MDH Selectable Ice / Beverage Dispensers

MDH-302
MDH-302 CI

MDH-402
MDH-402 CI
MDH-402 SCI

MDH-302/402 Bin Components, Carb Tank, Drive Train



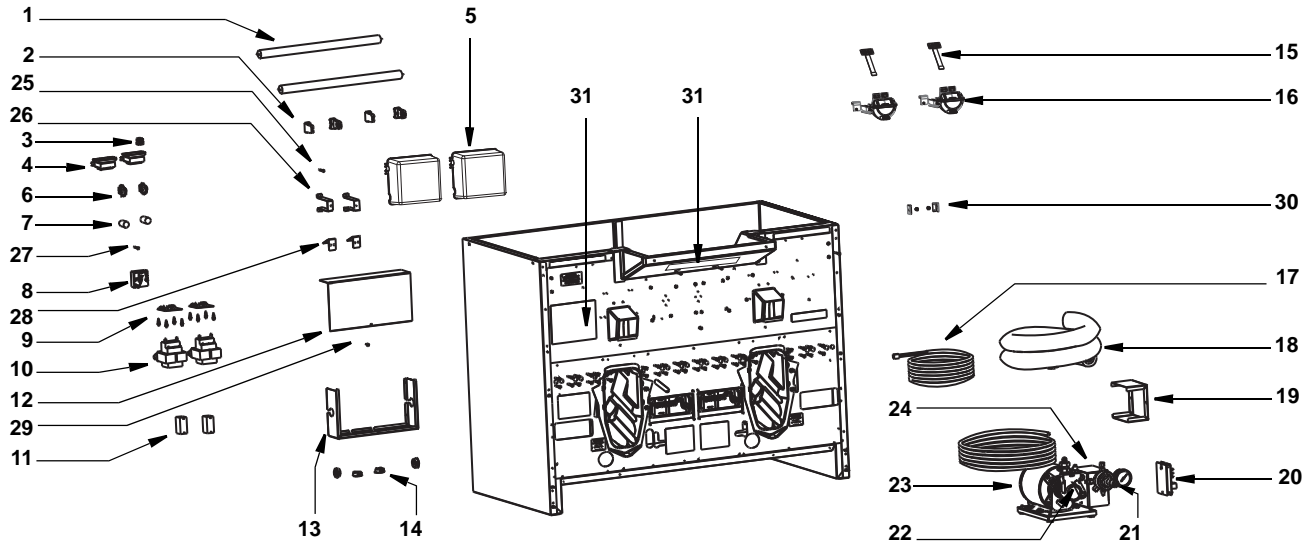
The drive train components Changed to Front Serviceable Units for the following model & serial numbers:
 MDH302 & MDH402 #610039642 & up
 MDH302CI, MDH-402CI, MDH-402SCI base parts included.

DESCRIPTION

	DESCRIPTION		PART NO.
1	Mushroom Bushing (2x)		
	a. Non-Front Serviceable		0101702
	b. Front Serviceable		020001418
2	U-bar Agitator Pin (2x)		
	a. Non-Front Serviceable		5010452
	b. Front Serviceable Clip Hitch Pin		020002668
3	U-bar Agitator (2x)		
	a. Non-Front Serviceable		5009529
	b. Front Serviceable		020001420
4	Paddle Wheel (2x)		
	a. Non-Front Serviceable		2601415
	b. Front Serviceable		020001423
5	Paddle Wheel Area		
	a. MDH-302 (2x on Non-Crusher 1x on MDH-302CI)		5001051
	b. MDH-302CI (1x Left)		5031363
	c. MDH-402 (2x on Non-Crusher 1x on MDH-402CI)		5001052
	d. MDH-402CI (1x Left)		5031614
	e. MDH-402SCI (Left & Right)		020000867
6	Bin Liners		
	a. MDH-302 Left		5030667
	b. MDH-302 Right		5030666
	c. MDH-402 Left		5030664
	d. MDH-402 Right		5030663
7	Locator Carb Tank (MDH-302 Only)		5010000
8	Valve Pressure Relief 125 Psi W/barb.		19-0898
9	Electrode Low Probe 2.97 Black		020001957
10	Electrode High Probe 1.91 Red		020001956
11	Horizontal Carb Tank 3.5 X 17.5 (MDH-302 Only)		020000257
12	Insulation Carb Tank 17.5 (302 Only)		5010928
13	Keyswitch		5000220
14	Clip Panel Splash Deep (2x)		5031139
15	Clip Tinn CI91728Z4 (2x)		0900240
16	Agitator Motor		
	a. Non-Front Serviceable (2x)		5000868
	b. Front Serviceable (2x) 115V		020003596
	c. Front Serviceable (2x) 220V/240V Double D Shaft		020001517
17	Motor Mount (2x)		
	a. Non-Front Serviceable (2x)		5001776
	b. Front Serviceable Deep (2x)		5030951
18	Seal Motor Shaft (2x)		5012913
19	Bushing Plastic Locating (2x)		020001416
20	Bushing / Oil Seal Assm (2x)		020001424
21	Pin Retaining (4x)		5030743
22	Clip Hitch Pin (4x)		5012374
	Miscellaneous - Brackets, Screw, Etc.		
23	Screw 8-32 X 1/2" Knurl Unslot		5000711
24	Label Danger Tag #49		0301249
25	Label, Check Valve Warning		5010397
26	Label, Front Serviceable Motor		020002079
27	Plumbing Label		
	a. MDH-302 IC Manifold 2112		5010331
	b. MDH-402 IC Manifold 31112		5010131
28	Screw 1/4-20 X 7/8" Hex Hd (4x per motor)		00850917
29	Washer Lock 1/4" SS (4x per motor)		0901904
30	Screw # 6-32 x 3/8 SLTD		00850430
31	Label, Warning Don't Drill		0301220

MDH-302/402 Electrical and Carb Pump Components

MDH302CI, MDH-402CI, MDH-402SCI
base parts included.

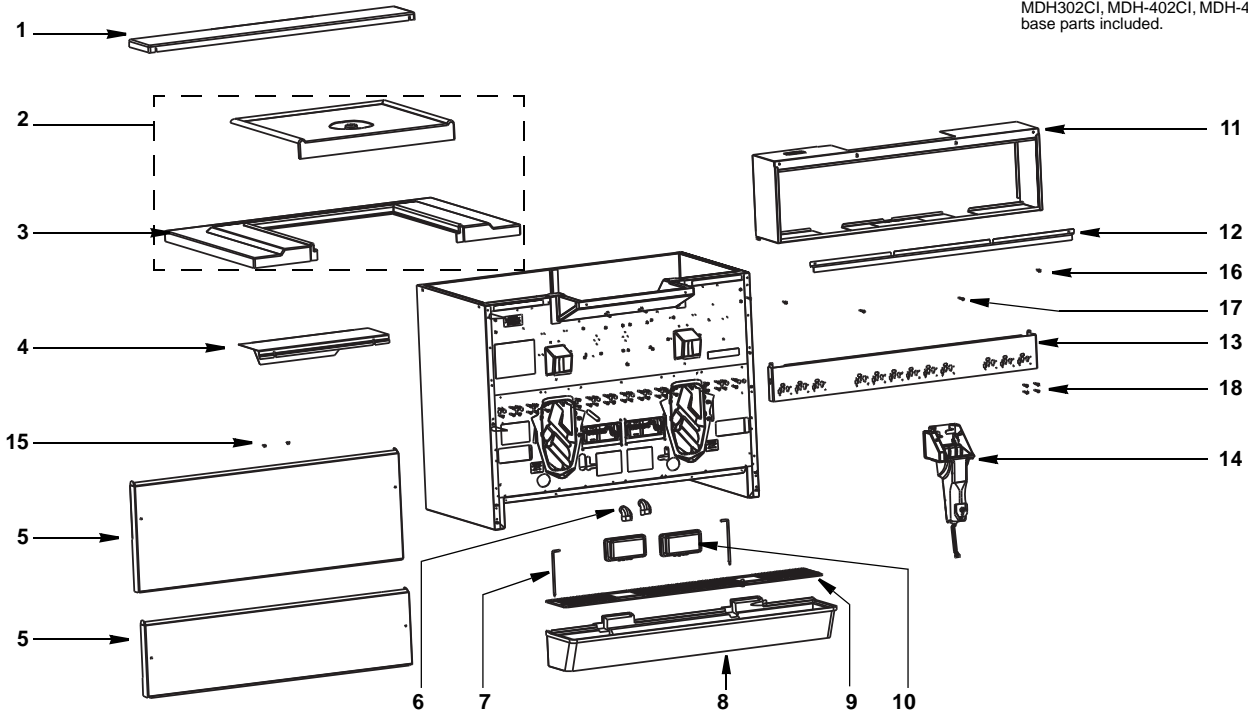


DESCRIPTION

	PART NO.
1 Fluorescent Tube	
a. MDH-302 - 18"	1000309
b. MDH-402 - 28"	1000301
2 Socket End Lt Kit	1001001
3 Plug Heyco Cord Strain Relief	1200301
4 Ballast 115/60	5008644
5 Electric Box Cover (MDH-402 Models Only)	
a. MDH-402 Inj Molded	5028992
b. MDH-402SCI	020001047
6 Base Starter Snap In	020002168
7 Starter Lev FS2	1001005
8 Timer Agitator 115/230	020000222
9 Control Board 120V (MDH-402SCI Only)	020000875
a. Standoff 3/8" High	00212539
10 Transformer 75VA 120V With Breaker	5008229
11 Capacitor 250V AC 60Hz 28 MF (MDH-402SCI Only)	020001402
12 Cover Box Electric	020002757
13 Electrical Box	
a. MDH-402	020002758
b. MDH402SCI	020001046
14 Bushing 1.093" Snap	1200308
15 Selectable Ice Key Pad (MDH-402SCI Only)	020000876
16 Selectable Ice Module (MDH-402SCI Only)	020003118
17 Harness Wiring Carb Tank	5030842
18 Kit Drain	2602528
19 Cover Top	5028724
20 Liquid Level Control 120V	00219104
21 Regulator Intellcarb W/bracket (MDH-302 Only)	YQT-731E
22 Cold Carbonation	
a. MDH-302 Pump Deck 120/60 Vented	5029123
b. MDH-402 Retro Fit Kit for Internal Carbonation - 115 Volt Kit	E201397
c. MDH-402 Retro Fit Kit for Internal Carbonation - 220 Volt Kit	5010729
23 Motor Carb Pump 115V (MDH-302 Only)	5028931
24 Deck Pump 120/60 Vented (MDH-302 Only)	5029123
Miscellaneous - Brackets, Screw, Etc.	
25 Screw 8-32 x 1-1/4 Type F Ph	5000974
26 Bracket Light Socket	7050046
27 Screw 8-32 x 1-1/4 Type F Ph	5000974
28 Bracket Light	5031517
29 Screw 8-32 x 1/2" Es Form Ph Pn Stl Zinc	5011940
30 Bracket Ext Merchandiser Mounting (MDH-402SCI Only)	5006690
a. 8-32 Tinnerman Nut (MDH-402SCI Only)	0900231
31 Label Wiring	
a. MDH-302 115/100	5029415
b. MDH-402 115/100	020001656
c. MDH-302CI 115/100	020002697
d. MDH-402CI 115/100	020002698
e. MDH-402SCI Left 115/100	020003250
f. MDH-402SCI Right 115/100	020003251

MDH-302/402 Panels, Merchandiser, Drain Pan, Rocking Chute

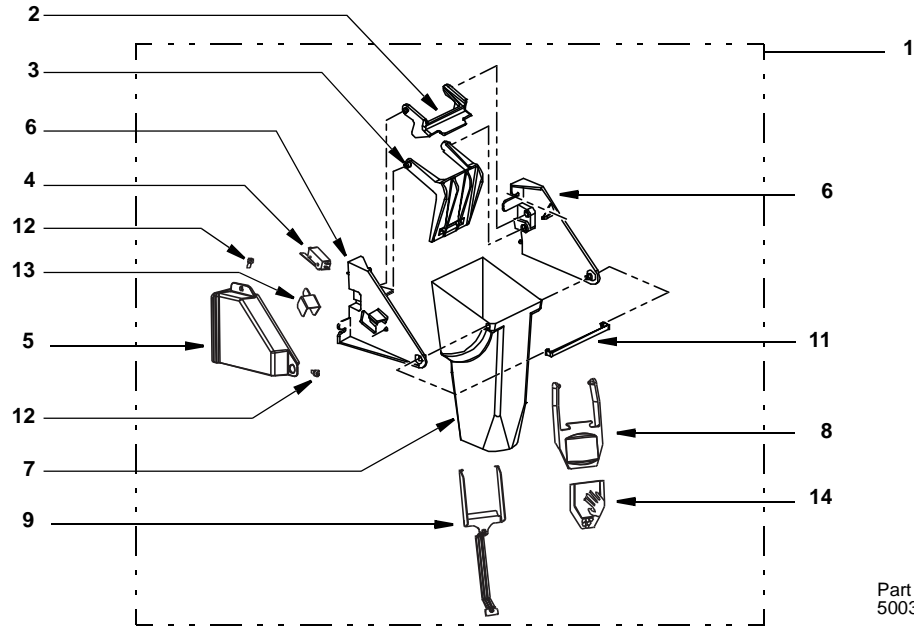
MDH302CI, MDH-402CI, MDH-402SCI
base parts included.



DESCRIPTION

	DESCRIPTION	PART NO.
1	Manual Fill Lid	
	a. MDH-302 Black CLI2	020000306
	b. MDH-402 Black	020000296
2	Lid Bin Inner & Outer Cover Blk	020001530
3	Lid Bin Outer	
	a. MDH-302	020001527
	b. MDH-402	020001528
4	Lid Man Fill Area CLI3	020000121
5	Splash Panels	
	a. MDH-302 Deep	5028002
	b. MDH-302 Black Galvn.	5028583
	c. MDH-302 Black	5007666
	d. MDH-302 Deep Ext.	5028007
	e. MDH-402 Deep	5028229
	f. MDH-402 Black Galvn.	5028585
	g. MDH-402 Deep Ext.	5028228
6	Elbow 90 Degree Rubber	5010337
7	Pin Retaining	5030743
8	Drain-pan	
	a. MDH-302 Black (SS Wrap)	5010111
	b. MDH-302 Black (Black Galvn Wrap)	5009352
	c. MDH-402 Black (Blow molded)	5009751
9	Grids	
	a. MDH-302	5010016
	b. MDH-402	5009290
10	Manifolds	
	a. MDH-302 4 Port Kit	020001288
	b. MDH-402 5 Port Kit	020001289
	c. Manifold Gasket (Cover)	5009866
11	Merchandisers	
	a. MDH-302 Standard SS	020000546
	b. MDH-302 Black Extended Merchandiser Is Available.	
	c. MDH-402 Standard SS	020000544
	d. MDH-402SCI SS Dual Selectable Ice	0200003118
12	Angle Trim Top Merchandiser	
	a. MDH-302	5003358
	b. MDH-402	5009497
13	Valve Mount Caps	
	a. MDH-302 12 Valve	5006967
	b. MDH-302 International Valve Mount Cap Dual Favor (12 Valve)	5028719
	c. MDH-402 16 Valve	5010782
	d. MDH-402 20 Valve	5010783
14	Rocking Chute Assemblies	
	a. MDH-302 Wide	5003622
	b. MDH-402 Narrow	020000409
	c. Kit Rocking Chute	5011789
	Miscellaneous - Brackets, Screw, Etc.	
15	Screw 18 X 3/4" SS Ph Tr	5013485
16	Screw 8-32 X 7/8" Knurl W/slt	5008033
17	Screw 8-32x1-1/2 Knurl Slot	020000259
18	Screw 10 -24x1- 1/4" Self Tap	5011953

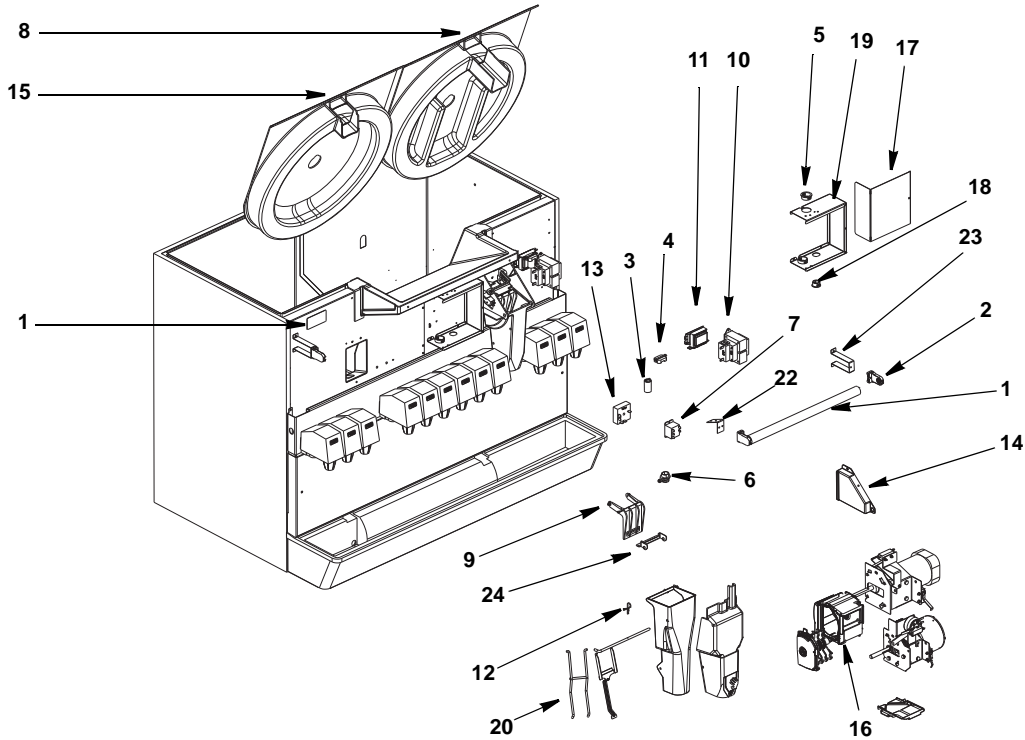
MDH-302/402 Rocking Ice Chute



Part Numbers
5003622 & 5011789

1	Complete Rocking Chute Assemblies	
	a. MDH-302 Wide	5003622
	b. MDH-402 Narrow	5011789
2	Door Lock	5002509
3	Door	5002508
4	Microswitch	1000703
5	Microswitch Guard	5029622
6	RC Brackets 5V-A	
	a. Right 5V-A.....	020002672
	b. Left 5V-A	020002671
	c. Kit RC Brackets 5V-A (Includes The Two New Brackets, Cover, Screw)	020002673
7	Rockng Chute	
	a. Wide	5002506
	b. Narrow	020001376
8	Rocking Chute Push for Ice Lever	
	a. Narrow	5004851
	b. Wide	5002510
9	Sanitary Lever	
	a. Narrow Burnished	020000409
	b. Wide Burnished.....	020000410
10	Door Mount Right	5002657
	Miscellaneous - Brackets, Screw, Etc.	
11	Bracket	5031384
12	Screw 8 - 32 X 1/2" ES Form PH PN STL Zinc	5011940
13	Bracket Ret Microswch Splh Gd	5030228
14	Label RC Push W/hand	5008636

MDH-302/402 CI (GEN I & II IcePic) Exploded View Parts List

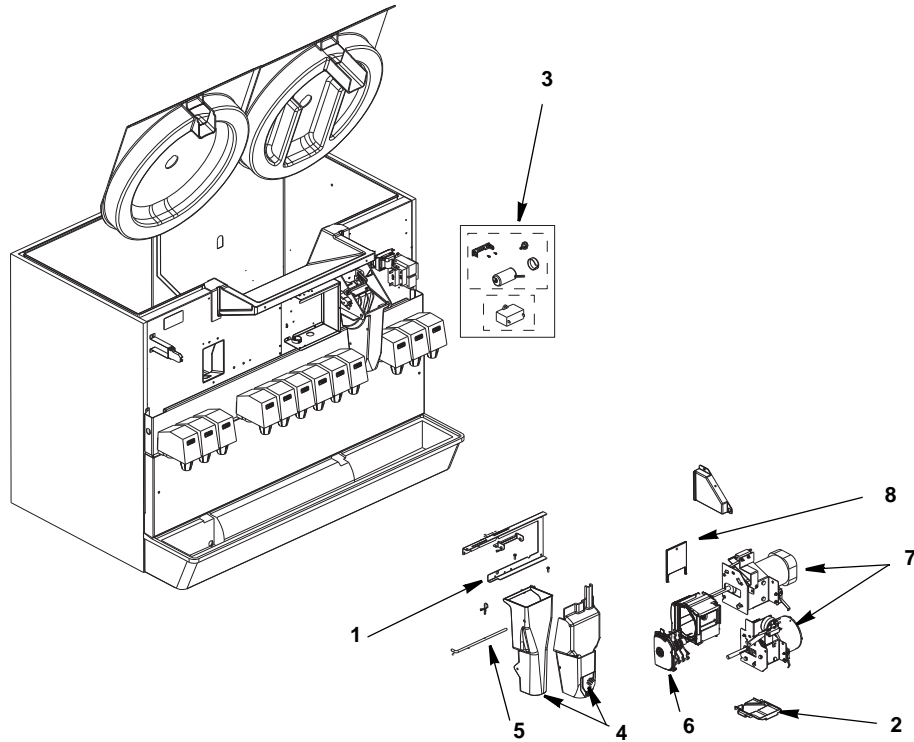


The Ice Crusher components changed to GEN II starting with the following Model & serial numbers:
MDH302 & MDH402
#610039642 & up

DESCRIPTION

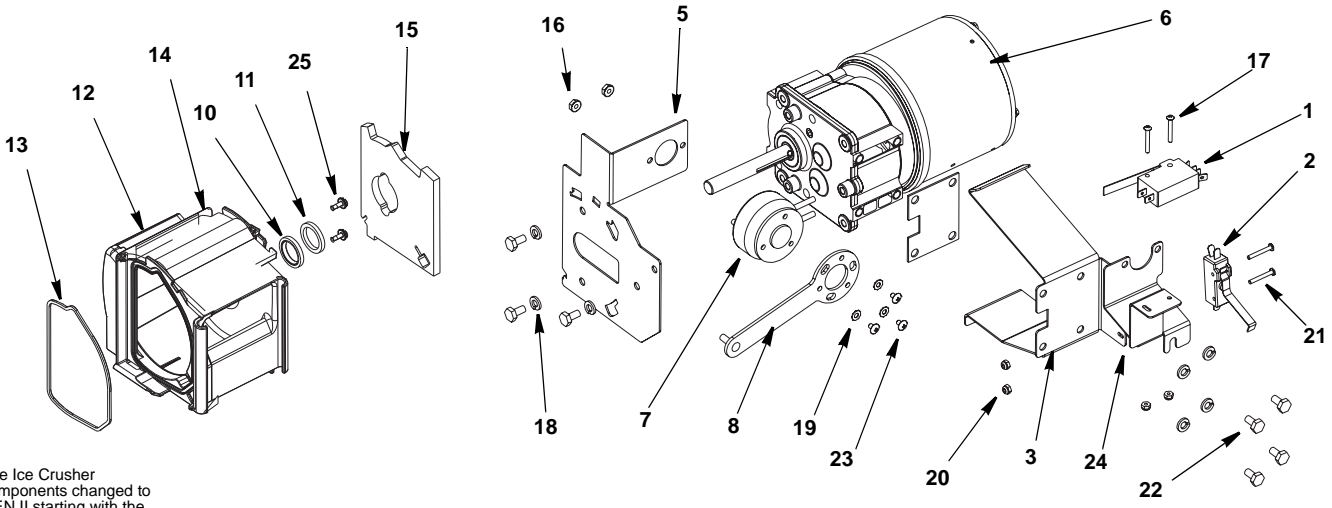
DESCRIPTION	PART NO.
1 Fluorescent Tube	
a. MDH-302 (18")	1000309
b. MDH-402 (28")	1000307
2 Socket End Light	1001001
3 Starter Lev FS2	1001005
4 Starter Base	020002168
5 Bushing 1.093" Snap	1200308
6 Cord Strain Relief Europe	5000836
7 Relay	
a. All GEN I	5031518
b. MDH-302 GEN II 24VAC Coil	5000900
c. MDH-402 GEN II 24VAC Coil	020002677
8 Paddle Wheel Area (Non-Crushed Side)	
a. MDH-302	5001051
b. MDH-402	5001052
9 Door Rocking Chute (GEN II Only)	5002508
10 Transformer 75VA 120V With Breaker	5008229
11 Ballast 115/60	5008644
a. Ballast Wire Jumper (402 only)	5031653
12 Clip Hitch Pin	5012374
13 Timer Agitator 115/230	020000222
14 Guard Splash Microswitch (GEN II Only)	5029622
15 Paddle Wheel Area (Crushed Side)	
a. MDH-302	5031363
b. MDH-402	5031614
16 Housing	5031424
17 Cover Electrical Box	7050073
18 Bushing Snap Split 1"	020000258
19 Electrical Box	020000295
20 Ice Chute Lever	
a. RC Burnished Narrow (GEN II Only)	020000409
b. Open Center (GEN II Only)	020002869
Miscellaneous - Brackets, Screw, Etc.	
21 Sticker "Danger Tag"	0301249
22 Bracket Light	5031517
23 Bracket Lt Socket	7050046
24 Bracket Crusher Chute (GEN II Only)	020000888

MDH-302/402 CI (GEN I & II Icepic) Exploded View Parts List



1 Channel Motor Mount	
a. GEN I 302 & 402	5031265
b. GEN II 302 & 402	02000993
2 Drip Pan	020001361
3 Capacitor	
a. GEN I Capacitor	5031515
Capacitor Cap	02000201
Bracket Capacitor	5031516
Bracket Capacitor 8-32 X 1/2 Flat Head Screw	0900504
b. GEN II Capacitor	020001402
4 Chute Ice Crusher	
a. GEN I	5031519
b. GEN II	020001474
5 Chute Rod	
a. GEN I	5031475
b. GEN II	020001514
6 Blade / Hub	
a. GEN I	5031408
b. GEN II	020001515
7 Motor / Housing	
a. GEN I 302/402	5031407
b. GEN II 302	020001516
c. GEN II 402	020001601
8 Crusher Door (GEN I Only)	5031624
Not Shown	
9 Harness Wiring (302 Only)	5031480
10 Harness Wiring (302/402 Crusher)	5031198
11 Wire Jumper Power	
a. MDH-302 CI	5031608
b. MDH-402 CI	5031655
12 Harness Wire Left (402 only)	5031656

MDH-302/402 CI GEN I Motor Assembly & Housing

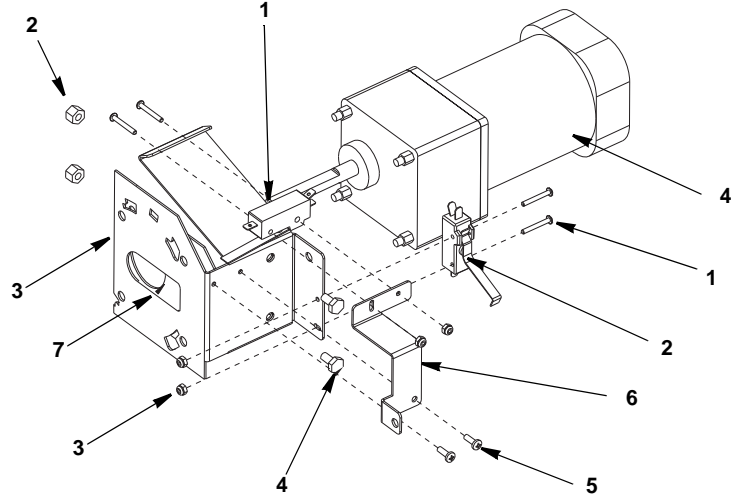
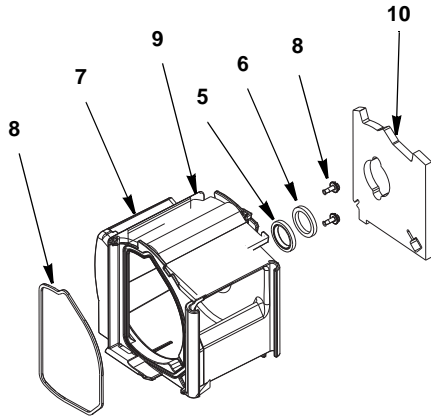


The Ice Crusher components changed to GEN II starting with the following Model & serial numbers:
MDH302 & MDH402
#610039642 & up

GEN I Assembly Part #
5031407

1	Microswitch	
a.	MDH-302	1000703
b.	MDH-402	02000423
2	Microswitch	1000703
3	Mount Motor	5031264
4	Gasket Motor	5031267
5	Mount Housing	5031281
6	Motor ED-8110-1	5031369
7	Solenoid Rotary	5031370
8	Arm	5031615
9	Microswitch Safety	02000467
10	Seal Motor Shaft	5012913
11	Bushing .750 I.D.	5031244
12	Housing Crusher	5031349
13	Gasket Housing	5031352
14	Insulation Crusher Top	5031356
15	Insulation Crusher Side	5031623
Miscellaneous - Brackets, Screw, Etc.		
16	Nut 10-32 Hex W/lock	00850705
17	Screw 6-32 X 1" SS PH RHMS	0900901
18	1/4 Lock Washer	0901904
19	Washer Star #8 SS	0901915
20	Screw 6-32 ESNA SS	0902304
21	Screw 6-32 Esna SS	0902304
22	Bolt 1/4-20 ESNA SS	5007377
23	Screw 8-32 X 1/4" PH PS	5012081
24	Bracket Chute Mount	5031835
25	#8-32 Screw 3/8" LG SLTD HEX	00850430

MDH-302/402 CI & SCI GEN II Motor Assembly & Housing

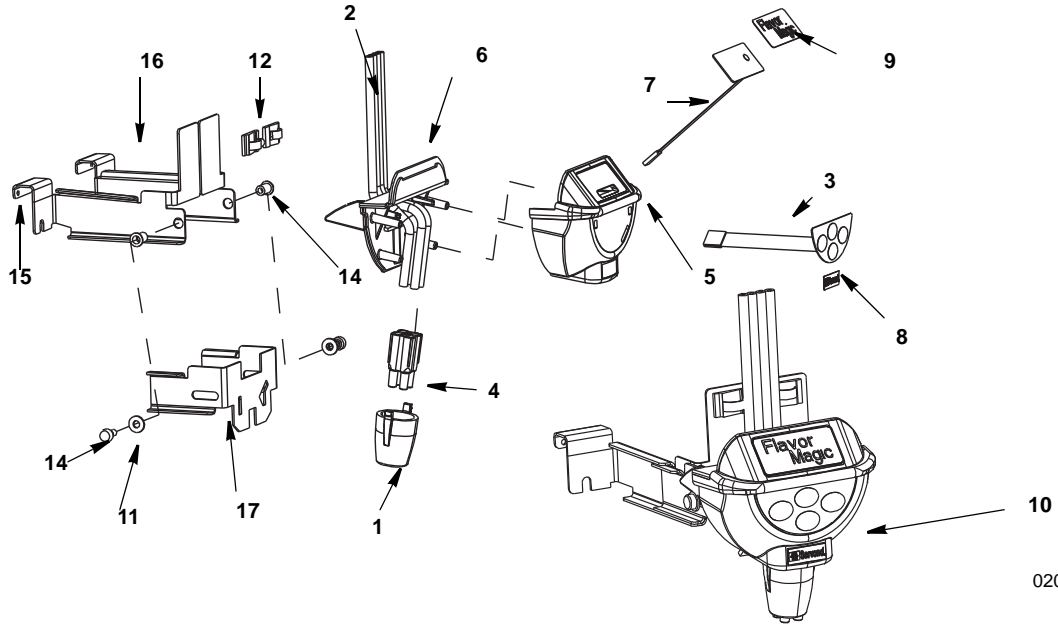


The Ice Crusher components changed to GEN II starting with the following Model & serial numbers:
 MDH302 & MDH402
 #610039642 & up

GEN II Assembly Part #
 020001513

1	Microswitch	
	a. MDH-302.....	1000703
	b. MDH-402.....	02000423
2	Microswitch Safety	02000467
3	Mount Housing	02000889
4	Motor Linix	020002826
5	Seal Motor Shaft	5012913
6	Bushing .750 I.D.	5031244
7	Housing Crusher.....	5031349
8	Gasket Housing	5031352
9	Insulation Crusher Top	5031356
10	Insulation Crusher Side	5031623
Miscellaneous - Brackets, Screw, Etc.		
1	Screw 6-32 x 1" SS PH KHMS	0900901
2	Nut 1/4-20 ESNA SS	0902302
3	Screw 6-32 ESNA SS.....	0902304
4	Bolt 1/4-20 ESNA SS	5007377
5	Screw 8-32 x 1/2.....	5011940
6	Bracket Chute Mount	02000887
7	Bracket Crusher Motor Mount.....	020001060
8	#8-32 Screw 3/8" LG SLTD HEX	00850430

MDH FLAVOR MAGIC MODULE



020001155

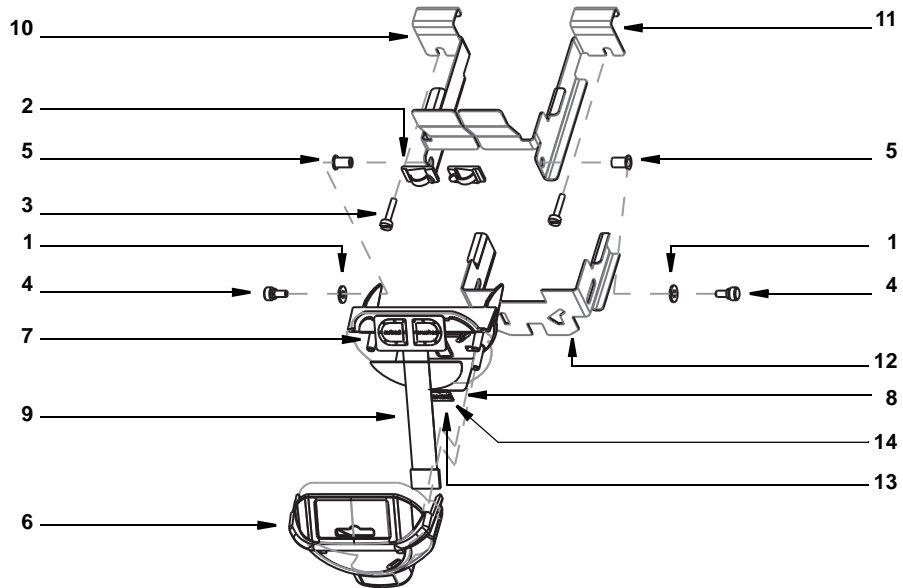
DESCRIPTION

1	Soft Pour Nozzle Black	501-25
2	Tubing 1/4x4	5030446
3	4 Button Keypad	5031193
4	Quad Tube Retainer	5031453
5	Front Cover, Icepic	020000473
6	Rear Cover, Icepic	020000493
7	Pad LED	020001033
8	Label - Horizontal Servend Logo	020001034
9	Label - Flavor Magic Graphic	020001035
10	MDH Flavor Magic Module Assembly.	020003702

Miscellaneous - Brackets, Screw, etc.

11	Flat Washer .219 Id X .5 OD X .05	00850350
12	Plastic Wire & Cord Clip	0905403
13	Screw 10-32x1/2 Knurl Unslotted	5012790
14	Rivnut 10-32	5029806
15	Bracket, Left Mounting	020000896
16	Bracket, Right Mounting	020000897
17	Bracket, Center Mounting	020000898

MDH Dual Crusher Selectable Ice Module



For MDH-402SCI
Module Assembly Part #
020003118

1	Flat Washer .219ID X .500OD X .050	00850350
2	Clip Plastic Wire & Cord	0905403
3	Screw 8-32 X 7/8" Knurl W/slt.	5008033
4	Screw 10-32x1/2 Knurl Unslt	5012790
5	Rivnut 10-32	5029806
6	Cover Front Fm Icepic	020000473
7	Cover Rear Fm Icepic	020000493
8	Label Nozzle Opening	020000594
9	Keypad Selectable Ice	020000876
10	Bracket, Mntg, Lh/rh	020000896
11	Bracket, Mntg, Lh/rh	020000897
12	Bracket, Mntg, Center	020000898
13	Label Logo Servend Horz	020001034
14	Decal Icepic	020001048