



Ice Machine Parts List for Series S1200 Models

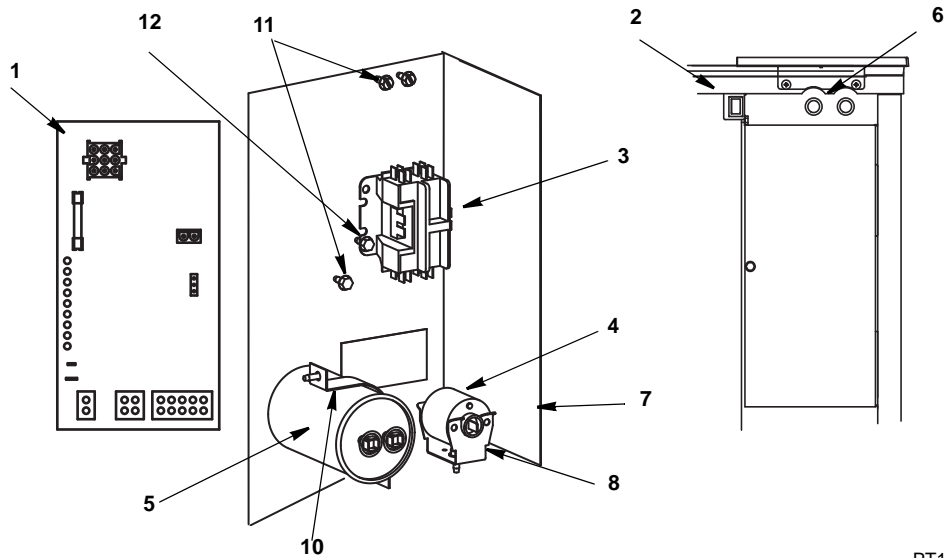
SD1202A

SY1204A

SD1203W

SY1205W

S1200 CONTROL BOX



PT1388

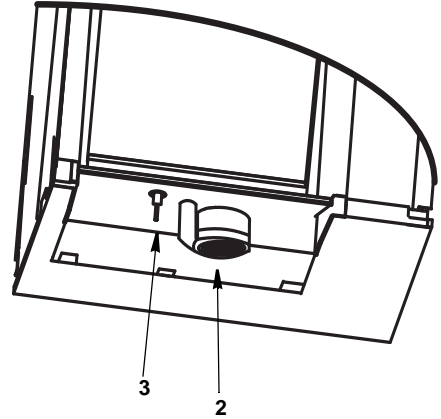
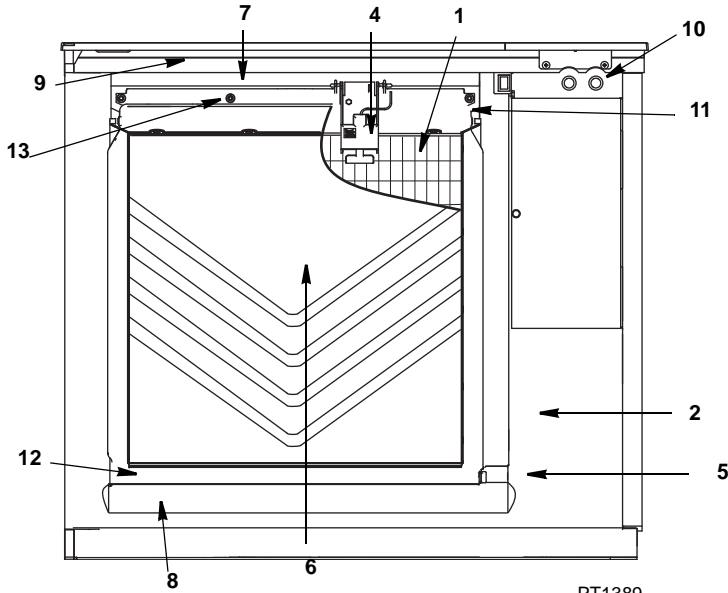
DESCRIPTION

		PART NO.
1	Control Board (for use with all voltages)	2006199
	a. 7 Amp Fuse – Mounted on Control Board	000008240
2	Toggle Switch Only	2007939
	a. Toggle Switch Wiring Harness	2008079
	b. Toggle Switch Box	4011639
3	Contactor	
	a. 208-230V/60 Hz/1 Ph or 230V/50 Hz 1Ph.	2009089
	b. 208-230V/60 Hz/3 Ph	2006619
4	P.T.C.R. Compressor Starter.	8504913
5	Compressor Run Capacitor 208-230V/50-60 Hz/1 Ph)	2010133
6	Refrigeration Service Valve Assembly	8373263

Miscellaneous – Brackets, Screws, etc.

7	Control Box	7602143
	a. Control Box Cover (Not shown).	7602153
8	P.T.C.R. Compressor Starter Mounting Bracket	8504953
9	Control Board Mounting Supports (Not shown)	4302253
10	Capacitor Mounting Strap	6024953
11	Screw, #10-24 x 0.50 Ground	5202169
	a. Star Washer	5573209
12	Screw, #10-24 x 0.50	5202069
13	Control Box Wiring Harness (Not shown)	
	a. 230/60/1, 230/50/1, 230/60/3.	2008999
14	Harvest Air Assist Pump Wiring Harness	2007439

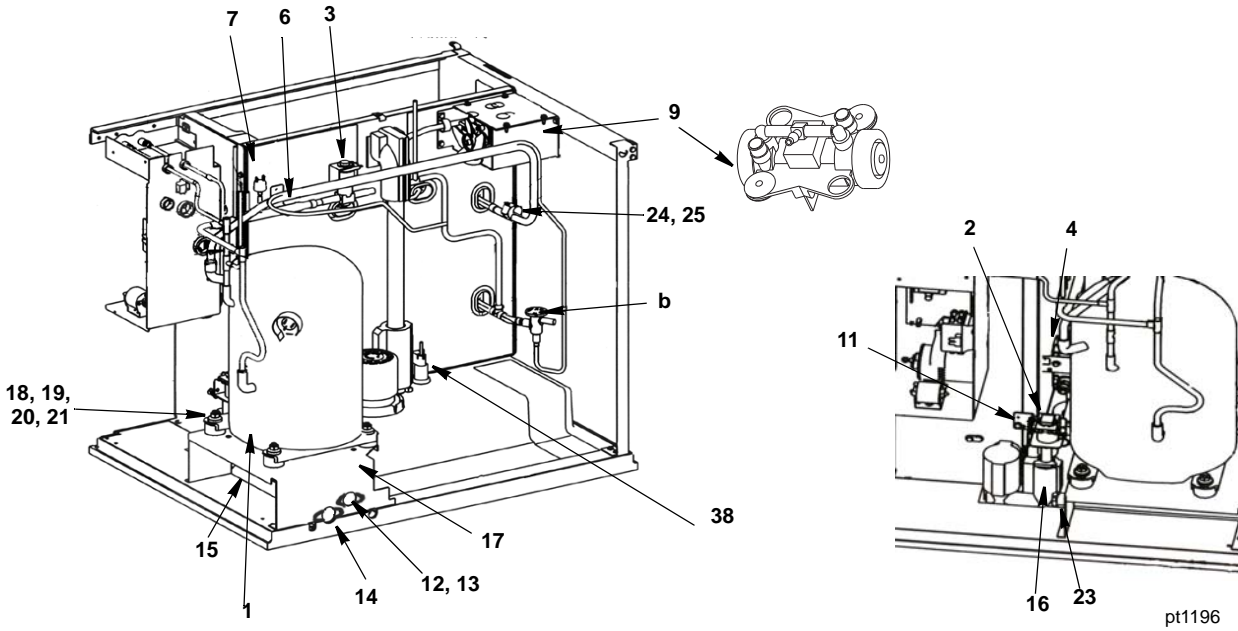
S1200 EVAPORATOR COMPARTMENT



DESCRIPTION

1	Evaporator Assembly	PART NO.
	a. Dice Cube	7604203
	b. Half Dice Cube	7604213
2	Water Pump	
	a. 230V/60 Hz 1/3PH	2008109
	b. 230V/50 Hz 1/3PH	2008119
3	Water Level Probe	2006549
	a. Wire, control box to probe	2007989
4	Ice Thickness Control Probe	2008029
5	Magnetic Bin Switch	00007888
6	Water Curtain	4014489
7	Water Distribution Tube Assembly	7602193
	a. O-Rings (Back of Distribution Assembly)	5004649
8	Water Trough	4003609
9	Evaporator Top Filler Panel	3006729
10	Access Valve	8373263
11	Evaporator Top Frame Assembly	7602203
12	Water Diverter	7602213
	a. Thumbscrew	5305123
Miscellaneous – Brackets, Screws, etc.		
13	Screw, (Water Distribution Tube Mounting) Each	5004799
	a. O-Ring	5004629
14	Screw, #12-16 x 0.687 Used to Mount Evaporator (Each)	5004619
15	Water Pump Base O-Ring	5004659
16	Water Pump Outlet O-Ring	5004679
17	Vinyl Tubing 0.625 ID (dump valve to drain adapter)	00001382
	a. Insulation	6038831

S1200 REFRIGERATION COMPARTMENT – COMMON PARTS



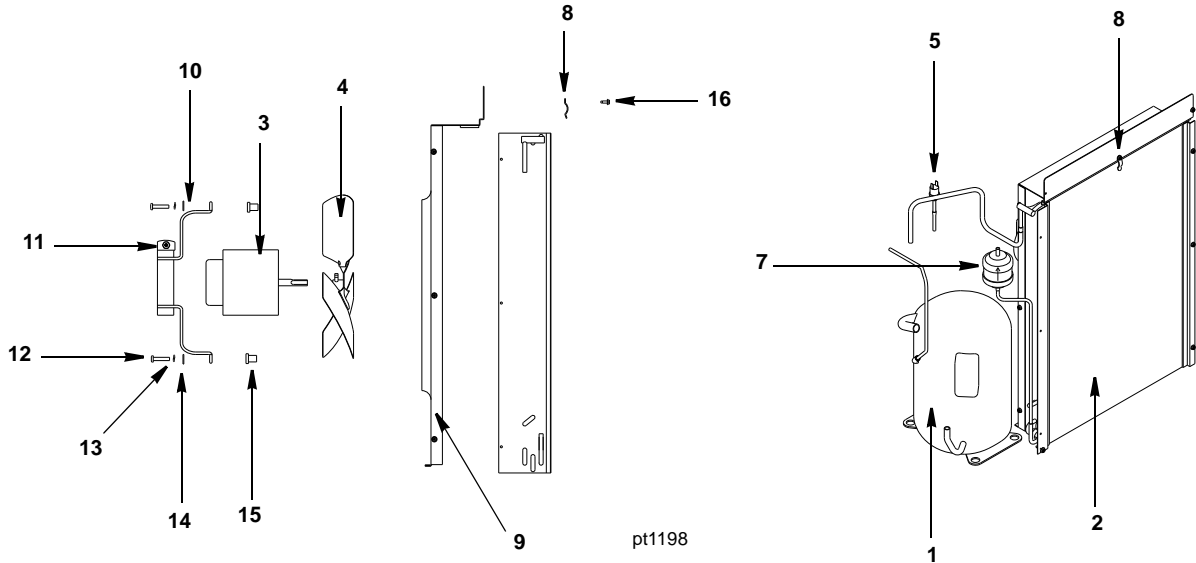
DESCRIPTION

		PART NO.
1	Compressor (After Serial Number 110707329)	
	a. 208-230V/60 Hz/1 Ph	000008729
	b. 208-230V/60 Hz/3 Ph	000008730
	c. 208-230V/50 Hz/1 Ph	000008731
1	Compressor (Before Serial Number 110707329)	
	a. 208-230V/60 Hz/1 Ph	7603213
	b. 208-230V/60 Hz/3 Ph	7603223
	c. 208-230V/50 Hz/1 Ph	7603233
2	Water Dump Valve	
	a. Dump Valve, 208-230V/50-60 Hz	000001768
	b. Dump Valve Rebuild Kit	No Longer Available
3	Harvest Valve	
	a. Harvest Valve Including 208-230V/50-60 Hz Electrical Coil Alco	7604223
	b. Harvest Valve 208-230V/50-60 Hz Coil Only Alco	2009079
4	Water Inlet Valve	
	a. Water Inlet Valve Including 208-230V/50-60 Hz Coil	000007966
5	Expansion Valve	
	a. After Serial Number 110707329	7601593
	b. Before Serial Number 110707329	7602253
6	Manifold Strainer (in front of hot gas valve)	8253579
7	High Pressure Cut-out (Auto Reset)	2001243
8	Electrical Box on Rear of Ice Machine	
	a. Box	Included in Back Panel Assembly
	b. Terminal Block 3 Pole	2006143
	c. Groundscrew #10-24 x 0.50	5202169
9	Air Compressor	
	a. Air Compressor Pump 230V	7603539
	b. Manifold Tee (Air Pump Tubing Outlet)	4011739
10	Compressor Compartment Wiring Harness	
	Before Serial Number 110707329	
	a. Water	2007329
	b. Air	2007319
	After Serial Number 110707329	
	a. Water	000002328
	b. Air	000002327

Miscellaneous – Brackets, Screws, etc.

11	Dump Valve Mounting Bracket	6058459
12	Water Inlet Valve Wing Adapter	8706093
13	Water Inlet Valve Wing Adapter Plastic Fitting	1360961
14	Water Drain Female Wing Adapter	8706083
15	Water Drain Clear Tubing, 0.625 ID x 12 inches	4420383
16	Dump Valve Tubing 3.25 inches.	4420383
17	Compressor Mounting Base.	6061709
18	Compressor Mounting Rubber Grommet.	† 8503069
19	Compressor Mounting Sleeve	8503949
20	Compressor Mounting Bolt.	5004819
21	Compressor Mounting Nut	5004829
22	Compressor Wiring Harness	2006239
23	Clamp, Water Drain	5650709
24	Clamp, Expansion Valve Bulb	5650529
25	Copper Bulb Strap	3000503
26	Expansion Valve Body Insulation Boot.	4013299
27	Expansion Valve Bulb Insulation Boot	4007203
28	Screw, #10-24 x 0.50	5202069
29	Left Corner Post	6065999
30	Left Top Channel	6068649
31	Right Corner Post.	6067139
32	Right Top Channel	6062579
33	Insulated Tube (vinyl tubing from distribution tube to water pump & dump valve).	000003408
	a. Clamp 0.859/0.989 ID	5650603
	b. Clamp 0.799/0.899 ID	5650703
34	Water Inlet Valve Tubing	4010439
35	Connector Water Inlet Valve.	1360989
36	Water Inlet Valve Bracket.	6058459
37	Check Valve Replacement (includes water diverter, vinyl tubing & insulation)	000002473
38	Holder, Water Level Probe	2006559
39	Screw to Mount Water Level Probe Holder	5202069

S1200 REFRIGERATION COMPARTMENT – AIR-COOLED



DESCRIPTION

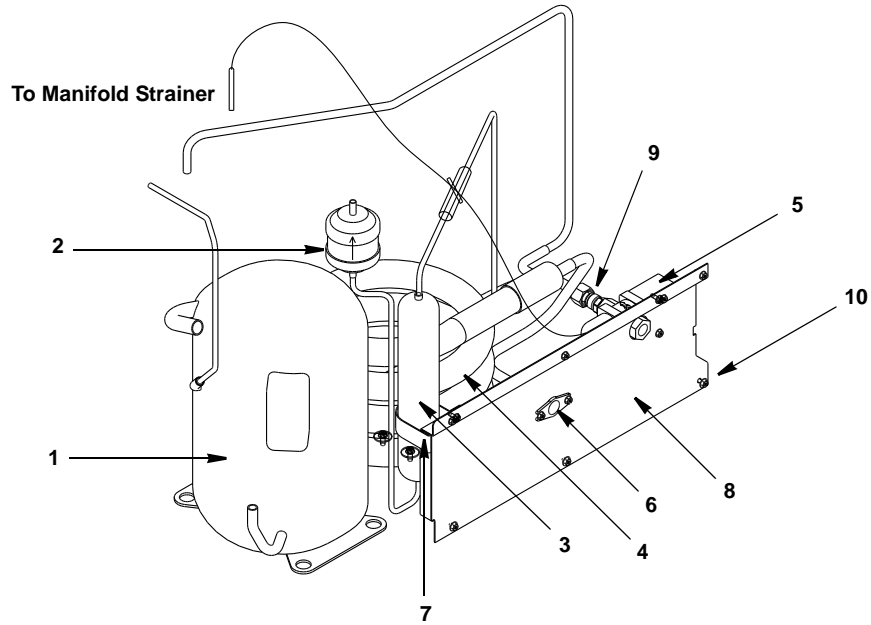
	PART NO.
1 Compressor (Refer to COMMON PARTS Page)	Page S1200-4
2 Air Condenser	8252959
3 Fan Motor (208-230V/60 Hz or 230V/50 Hz)	7626723
4 Fan Blade	2416123
5 Fan Cycling Control	† 2001273
6 Air Filter (Not shown)	4040213
7 Drier	8930249

Miscellaneous – Brackets, Screws, etc.

8 Air Filter Clip	† 5650699
9 Fan Shroud	6068799
10 Fan Motor Mounting Bracket	3006843
11 Fan Motor Mounting Screw	† 5033589
a. Fan Motor Mounting Lockwasher	† 5545109
b. Fan Motor Mounting Hexnut	† 5429529
12 Fan Bracket Mounting Screw	5032389
13 Fan Bracket Mounting Lockwasher	† 5545109
14 Fan Bracket Mounting Flatwasher	† 5573059
15 Fan Bracket Mounting Rubber Wellnut	† 5429559
16 Screw, #10-24 x 0.50	† 5202069

† Refer to Cross Reference Guide

S1200 REFRIGERATION COMPARTMENT – WATER-COOLED



pt1200

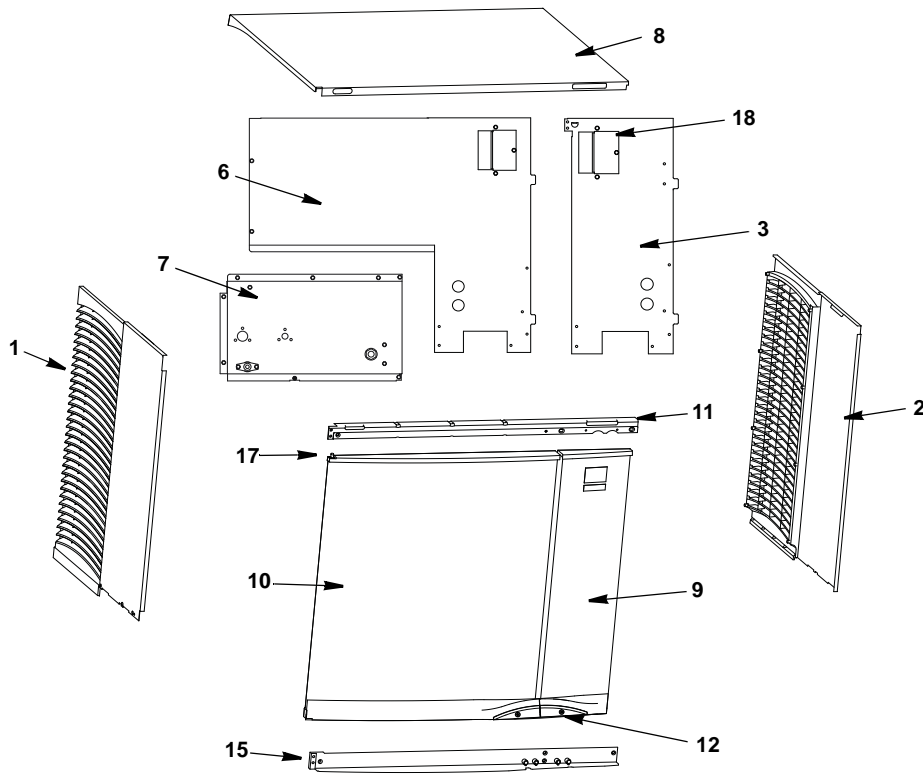
DESCRIPTION

DESCRIPTION	PART NO.
1 Compressor (Refer to COMMON PARTS Page)	Page S1200-4
2 Drier	8930249
3 Receiver	000008893
4 Water-Cooled Condenser	000001508
5 Water Regulating Valve	8372123
6 Water Drain Female Wing Adapter	8706083

Miscellaneous – Brackets, Screws, etc.

7 Receiver Strap	6000541
8 Back Panel	6069189
9 Brass Fitting	8334193
10 Screw, #10-24 x 0.50	5202069
11 Washer	5573419
12 Base, Water Condenser/Receiver	6069051

S1200 PANELS



DESCRIPTION

PART NO.

1	Left Side Panel	6060579
2	Right Side Panel	6060569
Air-Cooled Back Panels		
3	Back Panel with Electrical Connection Box, Air-cooled Models	6069389
4	Air Filter (Not Shown)	4040213
5	Air Baffle (Not Shown)	6071379
Water-Cooled Back Panels		
6	Back Panel with Electrical Connection Box, Water-cooled Models	00000334
7	Back Coupling Panel, Water Connections	6069189
Aluminum Front Top Support on machine (replace all)		
8	Top Cover	00006699
9	Right Door	6071701
10	Left Door	6071691
11	Front Top Rail	00000295
	Mounting Screw Left Side 8-32 x 1	5005379
	Mounting Screw Right Side 10-24 x 0.50	5005099
Plastic Front Top Support on machine (replace as needed)		
8	Top Cover	00006699
9	Right Door	6071701
10	Left Door	6071691
11	Front Top Rail	00000295
	Mounting Screw Left Side 8-32 x 1	5005379
	Mounting Screw Right Side 10-24 x 0.50	5005099
Miscellaneous – Brackets, Screws, etc.		
12	Right/Left Door Screw	5004899
13	Left Door Endcaps	
	a. Top	4015113
	b. Bottom	4015123
14	Right Door Endcaps	
	a. Top	4015143
	b. Bottom	4015153
15	Bottom Door Frame	7602263
	a. Mounting Screw Left Side 8-32 x 1 PH52*30	5005379
	b. Mounting Screw Right Side 10-24 x 0.50 PH	5202099
16	Door Catch Bracket (RHD)	6062369
	a. Mounting Screw 8-32 x 0.50 PH	5026249
17	Left Door Pivot Leaf Hinge (Top or Bottom)	3005579
	a. Mounting Screw 8-32 x 1 PH	5005379
18	Electrical Connection Box Cover	Included in Back Panel Assembly
19	Sachet Holder (inside left door)	4004599
	a. Screws	5004799