



MD Series Beverage & Ice Dispenser Parts List for Models

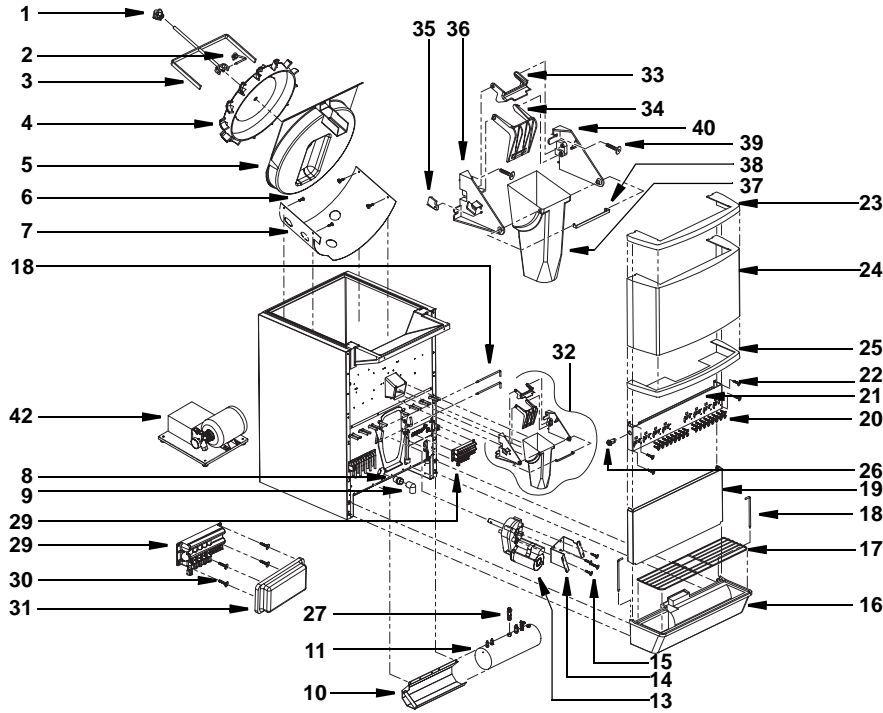
MD-150

MD-200

MD-175

MD-250

MD-150 & MD-175



* Items are standard options for cold carbonation

** Item replaces item 27 when vented watts valve option is selected

5010838

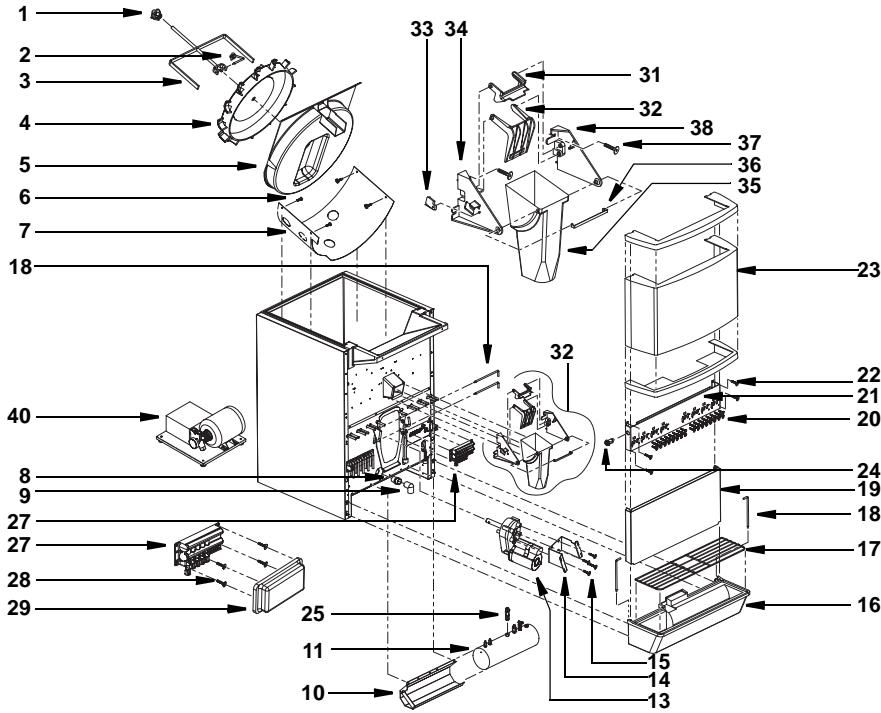
DESCRIPTION

1	Mushroom Bushing
2	U-bar Agitator
3	U-bar Agitator Pin
4	Paddle Wheel
5	Paddle Wheel Area
6	Screw 8-32x1/2" Knurl Unslotted (4x)
7	Bin Liner
a.	MD-150
b.	MD-175
8	Drain Fitting 3/4"
9	Drain Elbow 3/4" Female
10	* Locator Carb Tank
11	* Horizontal Carbonator Tank
12	For Probe See 3.5x12.5 Carb Tk Dwg.
13	Motor AY-62
14	Motor Mount
15	Bolt 1/4-20x5/8" SS HHCS (4x)
16	Drain Pan
a.	MD-150 Black
b.	MD-175 Black
17	Grid
a.	MD-150 Standard
b.	MD-175 Standard
18	Retaining Pin (2x)
19	Splash Panel Stainless Steel
a.	MD-150 Standard
b.	MD-175 Standard
20	Screw 10-32x1/4" Rhms (4 Per Valve)
21	Valve Mount Cap
a.	MD-150 6 Valve
b.	MD-175 8 Valve
22	Screw 8-32x1/2" Zinc Ph Rd F (4x)
23	Merchandiser Top (Black) MD-175 Only
24	Merchandiser
a.	MD-150
b.	MD-175
25	Merchandiser Bottom (Black) MD-175 Only
26	Key Switch
27	* Valve Chk Double 1/8" Npt X 0.116 Chudnow
28	**Fitting 1/8" Male Npt X 3/8" Flare 0.116 Chudnow
29	Flex Manifold
a.	4 Port
b.	5 Port
30	Screw 8-32x1/4" SS Ph Truss (4x)
31	Manifold Gasket (Cover)
32	Rocking Chute Assembly
a.	Wide
b.	Narrow
33	Door Lock
34	Door
35	Microswitch
36	Door Mount Left
37	Rocking Chute
a.	Wide
b.	Narrow
38	Bracket
39	Screw 8-32x1/2" Zinc Ph Rd F (4x)
40	Door Mount Right
41	Lever Optional
a.	Wide
b.	Narrow
42	Pump Deck

PART NO.

0101702
5009529
5010452
2601415
5001051
5000771
4220005
5009993
1200121
1200117
5009599
5010006
5009611
020003650
5001776
0900601
5010894
5009542
5010684
5009535
4140023
5007833
5010262
0900925
5004284
5006837
5000973
5010175
5010609
5010283
5010174
5000220
5010380
5011069
5009782
5009780
0901018
5009866
5008476
5006914
5002509
5002508
1000703
5002507
5002506
5004850
5003963
5000973
5002657
5008351
5004851
5009902

MD-200/250



* Items are standard options for cold carbonation

** Item replaces item 25 when vented watts valve option is selected

DESCRIPTION

	DESCRIPTION	PART NO.
1	Mushroom Bushing	0101702
2	U-bar Agitator	5009529
3	U-bar Agitator Pin	5010452
4	Paddle Wheel	2601415
5	Paddle Wheel Area	5001052
6	Screw 8-32x1/2" Knurl Unsit (4x)	5000711
7	Bin Liner	7050055
8	Drain Fitting 3/4"	1200121
9	Drain Elbow 3/4" Female	1200117
10	* Locator Carb Tank	5009599
11	* Horizontal Carbonator Tank	5010006
12	For Probe See 3.5x12.5 Carb Tk Dwg	5009611
13	Motor AY-62	5000868
14	Motor Mount	5001776
15	Bolt 1/4-20x5/8" SS HHCS (4x)	0900601
16	Drain Pan	
	a. Standard Black W/grid	5010660
	b. Galvn Black W/grid	5010584
	c. Galvn Black W/O Grid	5010583
17	Grid	
	a. Standard	5010017
	b. Accufill	5010218
18	Retaining Pin (2x)	5010583
19	Splash Panel	
	a. Stainless Steel	5007823
	b. Galvn Black	5010662
20	Screw 10-32x1/4" Rhms (4 Per Valve)	0900925
21	Valve Mount Cap	
	a. 8 Valve	5003834
	b. 10 Valve	5007289
22	Screw 8-32x1/2 *Znc Ph Rd F (4x)	5000973
23	Merchandiser	
	a. MD-200	5004308
	b. MD-250	5004309
24	Key Switch	5000220
25	* Valve Check Double 1/8" Npt X 0.116 Chudnow	5010380
26	**Fitting 1/8" Male Npt X 3/8" Flare 0.116 Chudnow	5011069
27	Flex Manifold	
	a. 5 Port	5009780
28	Screw 8-32x1/4" SS Ph Truss (4x)	0901018
29	Manifold Gasket (Cover)	5009866
30	Rocking Chute Assembly	
	a. Wide	5008476
	b. Narrow	5006914
31	Door Lock	5002509
32	Door	5002508
33	Microswitch	1000703
34	Door Mount Left	5002507
35	Rocking Chute	
	a. Wide	5002506
	b. Narrow	5004850
36	Bracket	5003963
37	Screw 8-32x1/2" Zinc Ph Rd F (4x)	5000973
38	Door Mount Right	5002657
39	Lever Optional	
	a. Wide	5008351
	b. Narrow	5004851
40	Pump Deck	5029123

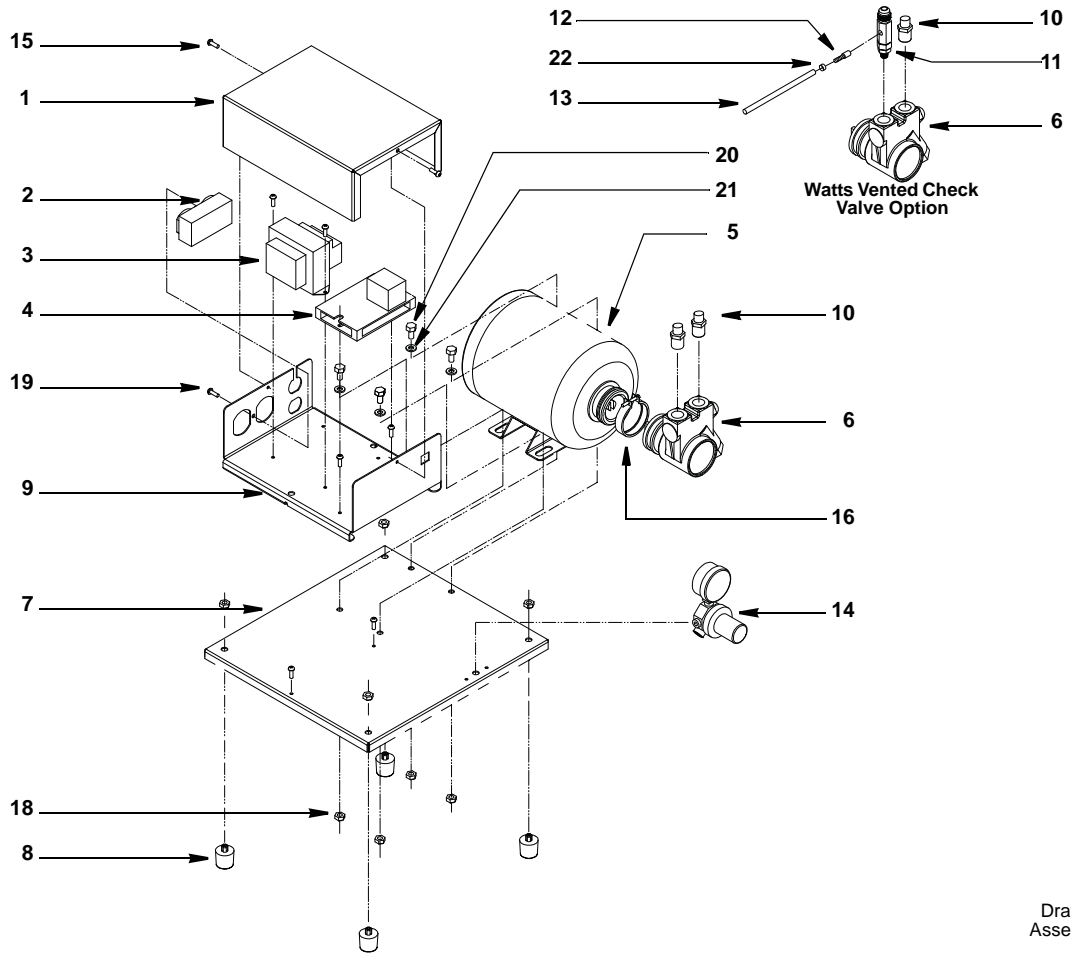
5010838

5029123 CARB PUMP DECK ASSY PARTS LIST- 115V / 60 HZ

DESCRIPTION

1	Plug Heyco Cord Strain Relif	1200301
2	Tape Sealant Teflon	5003964
3	Bolt 1/4-20x1/2" SS HHCS	5007377
4	Cord Elec	5008642
5	Ctrl Liq Level 120V	219104
6	Label Pump Deck	5010251
7	Regulator CO ₂ 75 Psi W/fitting	5011604
8	Scr 8-32 X 1/2" Grnd Zinc	5011936
9	Scr 8-32 X 1/2" Es Form Ph Pn Stl Zinc Clear Coat	5011940
10	Label CO ₂ Warning	5013202
11	Foot IC Deck	5014120
12	Cover Top	5028724
13	Crtn Md Pump Deck Set	5029038
14	Motor Ic Pump 120V	5029121
15	Label Pump Deck 120/60	5029129
16	Tube Carb Tank Purge	5030544
17	Harness Ctrl Board	5030844
18	Deck Base	5030865
19	Asse 1022 Backflow Preventer	19-0897
20	Washer Flat 1/4in Ss	901805
21	Washer Star #8 Ss	901915
22	Nut 1/4-20 Esna Ss	902302
23	Clamp Stepless Ss	10.5-505R
24	Tie Wire Small	1000421
25	Tie Wire Large	1000422

5011075 CARB PUMP DECK ASSY - 115V / 60 HZ



Drawing # 5009902
Assembly # 5011075

DESCRIPTION

1	Cover Box Elec IC	5009659
2	Harness Wiring 115/60 IC	5010106
3	Trans 75VA 120V W/breaker	N/A
4	Board Liquid Level Circ.	5009770
5	Motor Carb Pump	5010426
6	Pump Head Carb 125 GPH	5009613
7	Deck IC Mntg	5009767
8	Feet IC Deck Mntg	5009768
9	Base Elec Box 115/60 IC	5010245
10	Fitting Brass 3/8 THO X 3/8 Barb	5009070
11	Valve Chk Vented 3/8" NPT X 3/8" Flare Watts	5011070
12	Fitting 1/8" Male NPT X 1/4" Hose Barb S.S.	5011068
13	1/4" Tubing	1200402
14	Regulator CO ₂ 75 Psi With FITTINGS	5011604

Miscellaneous - Brackets, Screw, Etc.

15	Screw 8-32 x1/2" ZNC PHRDF	5000973
16	Clamp Pump Head	5009036
17	Nut 1/4-20 HEX SS	0902105
18	Nut 1/4-20 ESNA SS	0902302
19	Screw 6-32X3/8" SS PF RHMS	0900904
20	Bolt 1/4-20X1/2" SS HHCS	5007377
21	Washer Flat 1/4" SS	0901805
22	Clamp OTR 13/32"	5011451
23	Plug Heyco Cord Strain Re.	1200301
24	Cord Elec	5008642
25	Cord Motor Carb Pump	5009766
26	Cord Pump Motor Elec Box	5009769
27	Bracket CO ₂ Regulator Mounting	5011582
28	Washer Star #8 SS	0901915
29	Screw 8 x1/2 Ground SM	0903903
30	Tip 1/8" Tiny Plasic	0904504
31	Label Amp Unit +	N/A
32	Label Wiring 115/100 IC	5010251
33	Tape Sealant Teflon	5003964