



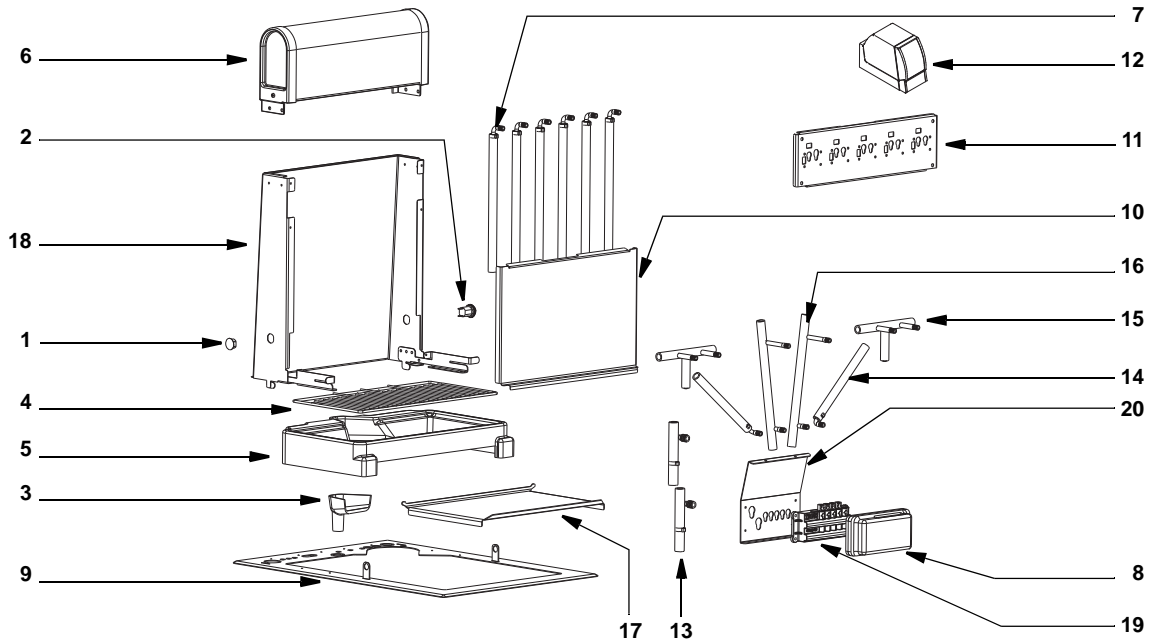
## **Drop-In 1522 & 2323 Cold Carbonation/Ambient Beverage Dispensers Parts List**

**DI-1522**

**DI-2323**

**DIL-2323**

# DI-1522 Tower

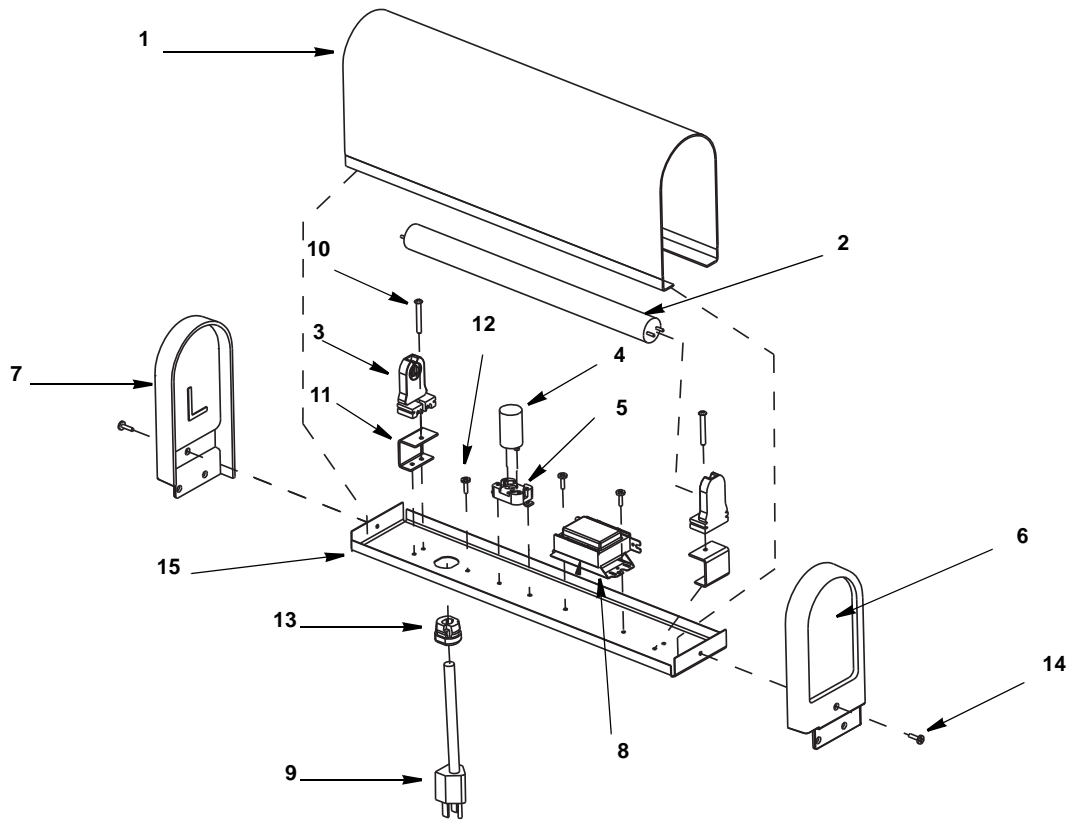


5029314

## DESCRIPTION

DESCRIPTION	PART NO.
1 HEYCO Plug-D 2503 .....	1200322
2 Keyswitch .....	5000220
3 Rubber Drain Funnel .....	5006933
4 Wire Grid .....	5007664
5 Wide Drainpan Black .....	5008721
<b>6 Merchandiser .....</b>	<b>5009144</b>
a. 120V/60 Hz Pepsi .....	5027654
b. 120V/60 Hz Quench .....	5027656
c. 120V/60 Hz RC .....	5027657
d. 120V/60 Hz 7UP .....	5027658
e. 100V/50 & 60 Hz Pepsi .....	5030276
f. 100V/50 & 60 Hz Quench .....	5027661
g. 100V/50 & 60 Hz RC .....	5027662
h. 100V/50 & 60 Hz 7UP .....	5027663
i. 220V/50 Hz Pepsi .....	5030277
j. 220V/50 Hz Quench .....	5027666
k. 220V/50 Hz RC .....	5027667
l. 220V/50 Hz 7UP .....	5027668
m. 220V/60 Hz Pepsi .....	5030278
n. 220V/60 Hz Quench .....	5027671
o. 220V/60 Hz RC .....	5027672
p. 240V/60 Hz 7UP .....	5027673
q. 240V/50 Hz Pepsi .....	5030279
r. 240V/50 Hz Quench .....	5027676
s. 240V/50 Hz RC .....	5027677
t. 240V/50 Hz 7UP .....	5027678
u. 240V/60 Hz Pepsi .....	5030280
v. 240V/60 Hz Quench .....	5027681
w. 240V/60 Hz RC .....	5027682
x. 240V/60 Hz 7UP .....	5027683
y. 120V/60 Hz Dr. Pepper .....	5027785
z. 100V/50 & 60 Hz Dr. Pepper .....	5027786
aa. 220V/50 Hz Dr. Pepper .....	5027787
ab. 220V/60 Hz Dr. Pepper .....	5027788
ac. 240V/50 Hz Dr. Pepper .....	5027789
ad. 240V/60 Hz Dr. Pepper .....	5027790
7 Outlet Line 11" Long .....	5010164
8 Flex Manifold Insulation .....	5010332
9 Welded Bezel GEN III .....	5012392
10 Splash Panel .....	5030649
<b>11 Valve Mount Cap .....</b>	<b>5030655</b>
a. 6 Valve GEN II .....	5031111
b. 5 Valve GEN II .....	020004188
12 Back Block Cover UFB1 .....	5030978
13 ManifoldLine IN 3/8" .....	5030979
14 ManifoldLine OUT 1/4" .....	5030980
15 2 Valve Manifold .....	5030981
16 Water Line 3 & 4 .....	5030981
17 Door Lift .....	5031004
18 Tower Welded .....	5031474
19 4 Port Raised Manifold .....	020000986
20 Manifold Mounting Plate .....	020000989

# DI-1522 Merchandiser

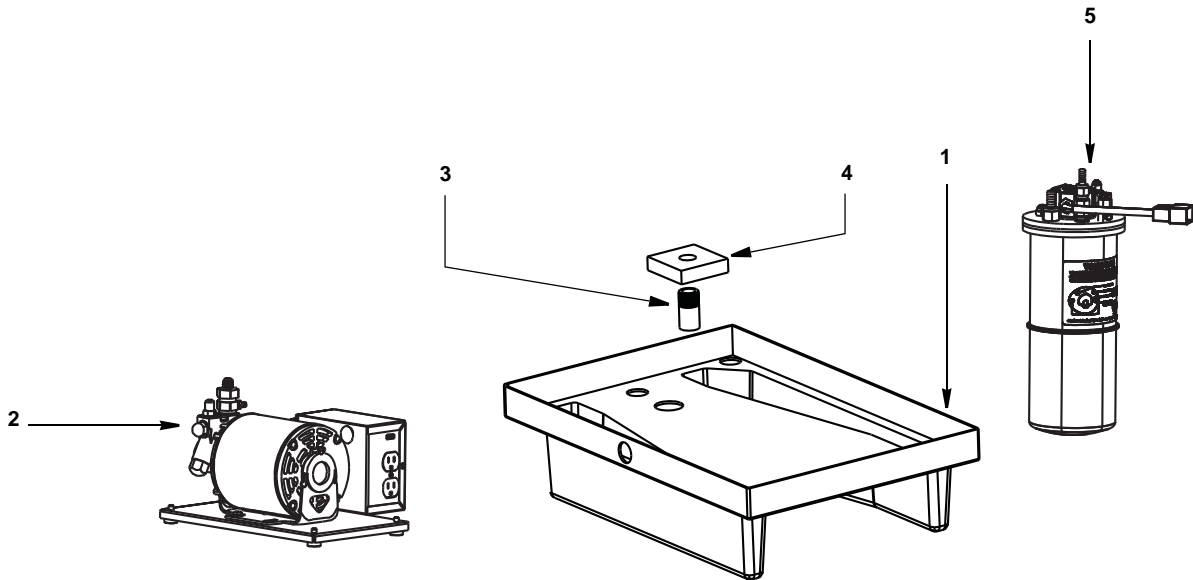


5030249

## DESCRIPTION

DESCRIPTION	PART NO.
<b>1 Medallion</b>	
a. Quench .....	5009469
b. Pepsi .....	5009470
c. 7UP .....	5009627
<b>2 11" Florescent Tube (F13)</b> .....	1000318
<b>3 End Light Socket</b> .....	1001001
<b>4 LEV FS2 Starter</b> .....	1001005
<b>5 Starter Base</b> .....	020002168
<b>6 Merchandiser End Cap, Right</b> .....	5008727
<b>7 Merchandiser End Cap, Left</b> .....	5008726
<b>8 Ballast</b>	
a. 115/60 .....	5008644
b. 100/50/60 Export .....	5000870
c. 220/50 .....	5000348
d. 220/60 .....	5000349
e. 240/50 .....	5000350
f. 240/60 .....	5000351
<b>9 Electric Cord</b>	
a. Domestic .....	5008642
b. 100/220/240 Light Harness (Exports Only) .....	5007691
<b>Miscellaneous - Brackets, Screw, Etc.</b>	
<b>10 Screw 8-32 x 1/4" PH PS</b> .....	5000974
<b>11 Light Socket Bracket (Right &amp; Left)</b> .....	4340151
<b>12 Screw 8-32 x 1/2" GRND Zinc</b> .....	5011936
<b>13 Cord Strain Relief Heyco Plug</b> .....	1200301
<b>14 Screw 8-32 x 1/2"</b> .....	5011940
<b>15 Light Mount Bracket</b> .....	5007690

# DI-1522 Base & Carbonation

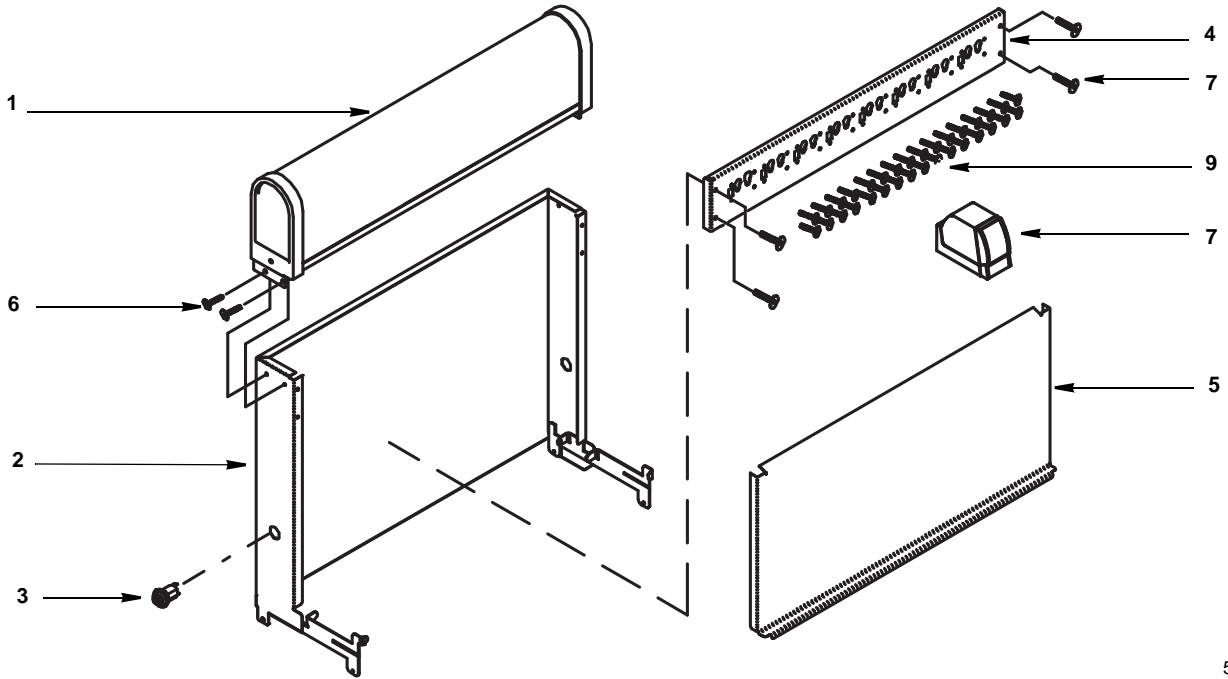


5029314

**DESCRIPTION**

	<b>PART NO.</b>
1 Plastic Unit Bottom .....	4350002
<b>2 Pump Deck</b>	
a. 115V .....	020000530
b. 220V .....	020000529
<b>Miscellaneous - Brackets, Screw, Etc.</b>	
3 3/4" X 2-1/4" Slipon Nipple .....	5009298
4 Drain Pan Fitting Flat Gasket .....	0400204
<b>5 Vertical Carb Tank</b>	
a. 115V .....	43-1600-10
b. 220V .....	43-1602

## DI/DIL-2323 Tower



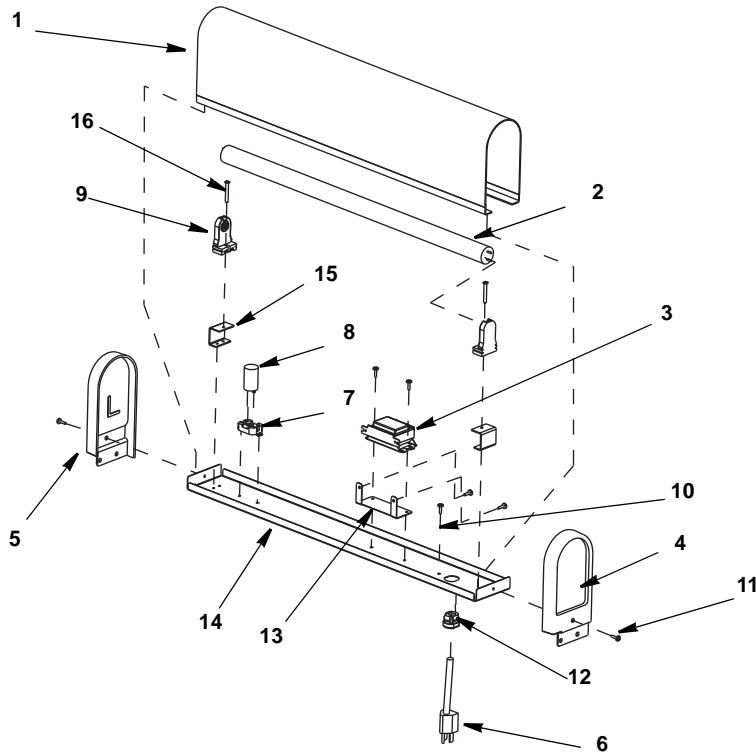
5010876

### DESCRIPTION

### PART NO.

<b>1 Merchandiser</b>	
a. Merchandiser (Black) .....	5009297
b. Merch Light 115V .....	5007754
c. Merch Light 240/60 .....	5007874
d. Merch Light 240/50 .....	5007875
e. Merch Light 220/60 .....	5007876
f. Merch Light 220/50 .....	5007877
<b>2 Tower Assembly</b> .....	5031037
<b>3 Keyswitch</b> .....	5000220
<b>4 Valve Mount Cap</b>	
a. Valve Mount Cap (Pre-mix 5 Valve) .....	5008335
b. Valve Mount Cap (Pre-mix 6 Valve) .....	5008334
c. Valve Mount Cap (5 Valve) .....	5008321
d. Valve Mount Cap (6 Valve) .....	5008322
e. Valve Mount Cap (7 Valve) .....	5008323
f. Valve Mount Cap (8 Valve) .....	020001468
<b>5 Splash Panel (SS)</b> .....	5008255
<b>Miscellaneous - Brackets, Screw, Etc.</b>	
<b>6 Screw 8-32 X 1/2" Znc Ph Rd F (4x)</b> .....	5000973
<b>7 Screw 8-32 X 1/2" Znc Ph Rd F (4x)</b> .....	5000973
<b>8 Screw 10-32 X 1/4" Rhms (4 Per Valve)</b> .....	0900925
<b>9 Back Block Cover UFB1</b> .....	020004188

# DI/DIL-2323 Merchandiser

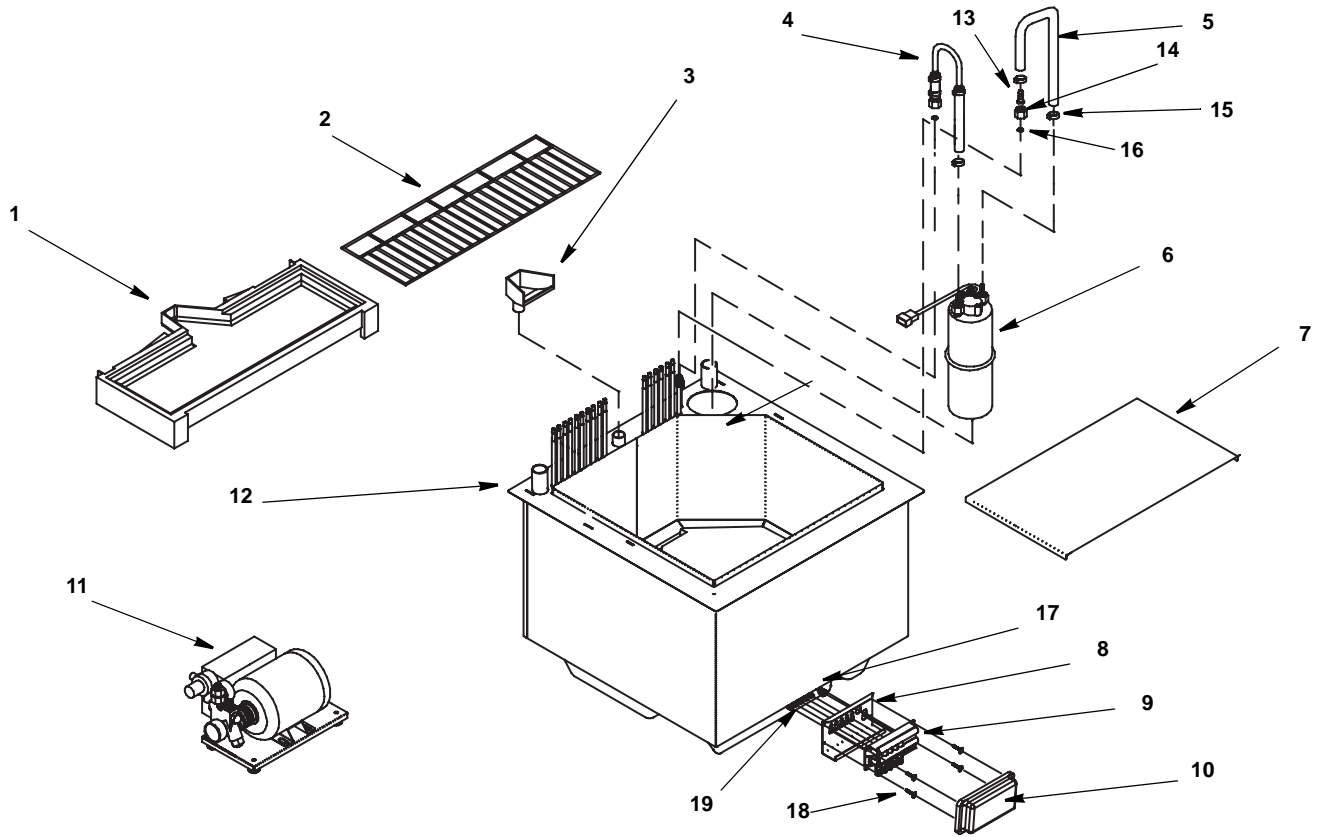


5030248

## DESCRIPTION

			<b>PART NO.</b>
<b>1</b>	<b>Medallion</b>		
	a. Quench .....		5008056
	b. Pepsi .....		5008057
	c. Coke .....		5008058
	d. 7UP .....		5009624
	e. RC .....		5011478
<b>2</b>	18" Florescent Tube .....		1000309
<b>3</b>	<b>Ballast</b>		
	a. 115/60 .....		5008644
	b. 100/50/60 Export .....		5000870
	c. 220/50 .....		5000348
	d. 220/60 .....		5000349
	e. 240/50 .....		5000350
	f. 240/60 .....		5000351
<b>4</b>	Merchandiser End Cap, Right Black .....		5008727
<b>5</b>	Merchandiser End Cap, Left Black .....		5008726
<b>6</b>	<b>Electric Cord</b>		
	a. Domestic .....		5008642
	b. 100/220/240 Light Harness (Exports Only) .....		5007691
<b>7</b>	Starter Base .....	020002168	
<b>8</b>	LEV FS2 Starter .....		1001005
<b>9</b>	End Light Socket .....		1001001
<b>Miscellaneous - Brackets, Screw, Etc.</b>			
<b>10</b>	Screw 8-32 x 1/2" GRND Zinc .....		5011936
<b>11</b>	Screw 8-32 x 1/2" .....		5011940
<b>12</b>	Cord Strain Relief Heyco Plug .....		1200301
<b>13</b>	220/240 Ballast Bracket .....		5007868
<b>14</b>	Light Mount Bracket, Round .....		5007734
<b>15</b>	Light Socket Bracket (Right & Left) .....		4340151
<b>16</b>	Screw 8-32 x 1/4" PH PS .....		5000974

# DI/DIL-2323 Drain, Ice Bin



5010876

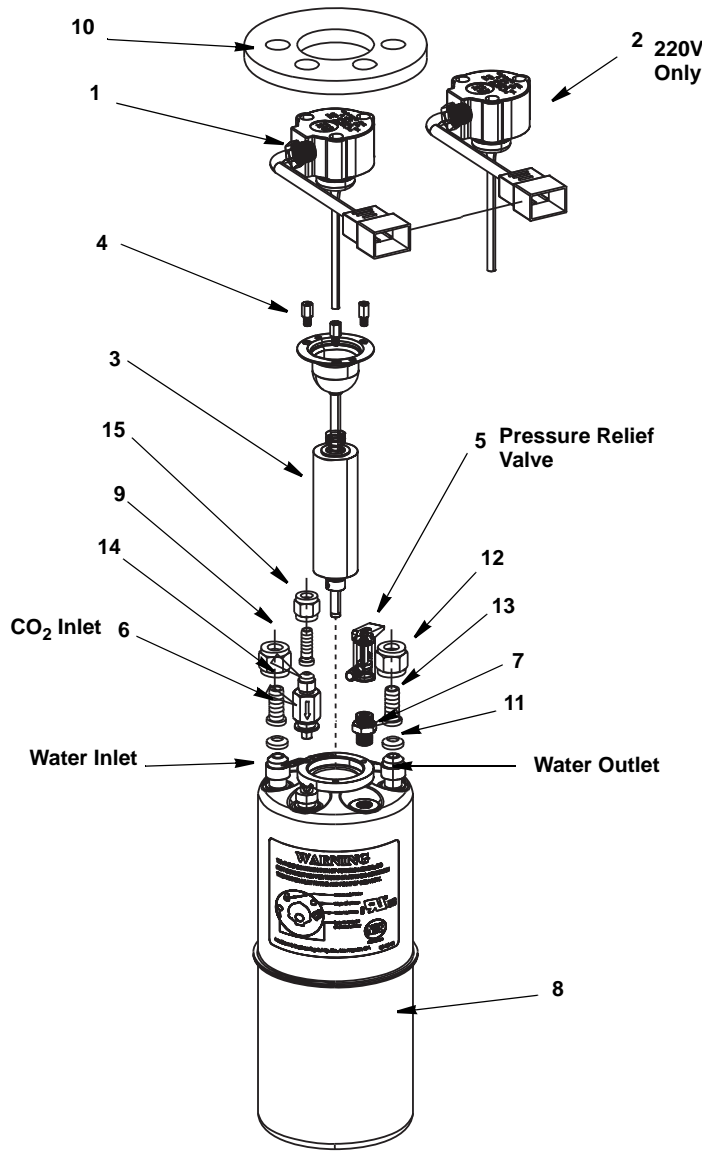
## DESCRIPTION

	DESCRIPTION	PART NO.
1	Drainpan Black .....	5011501
2	<b>Grid</b>	
	a. Standard Grid .....	5006250
	b. Accufill Grid .....	5011778
3	Funnel Rubber Drainpan .....	5006933
4	Tube Assembly .....	02000964
5	Tube Assembly .....	5027883
6	<b>Carbonator Tank</b>	
	a. 115V .....	43-1600-10
	b. 220V .....	43-1602
7	Ice Bin Door .....	5008254
8	Manifold Retaining Plate .....	02000988
9	5 Port Manifold Assembly .....	02000987
10	Manifold Gasket (Cover) .....	5010332
11	<b>Pump Deck (See Page 9 &amp; 10)</b>	
	a. 115V .....	02000530
	b. 220V .....	02000529
12	Welded Bezel .....	02000476

## Miscellaneous - Brackets, Screw, Etc.

13	Fitting Swivel 3/8 Barb .....	5009025
14	Nut 3/8 X 9/16 In Swivel Fitting .....	1701110
15	Clamp Otr 39/64 15.7-706R .....	15-7-706R
16	3/8" Black Nylon Washer .....	1701115
17	O-ring 8010 .....	5009763
18	Screw 8-32 X 5/8" Tri-lobe(4x) .....	02000992
19	O-ring 010 EP80 (10x) .....	5009080

# McCann's Vertical Carb Tank



43-1600-10  
43-1602

## DESCRIPTION

### 1 Assembly Probe 115V

a. Probe Spare Parts Kit .....	16-1404
b. Driving Solenoid 115V Electrical, Black Cap. ....	16-2115-41

### 2 Assembly Probe 220V

a. Probe Spare Parts Kit .....	16-1406
b. Driving Solenoid 220V Electrical, Black Cap. ....	16-2220-41

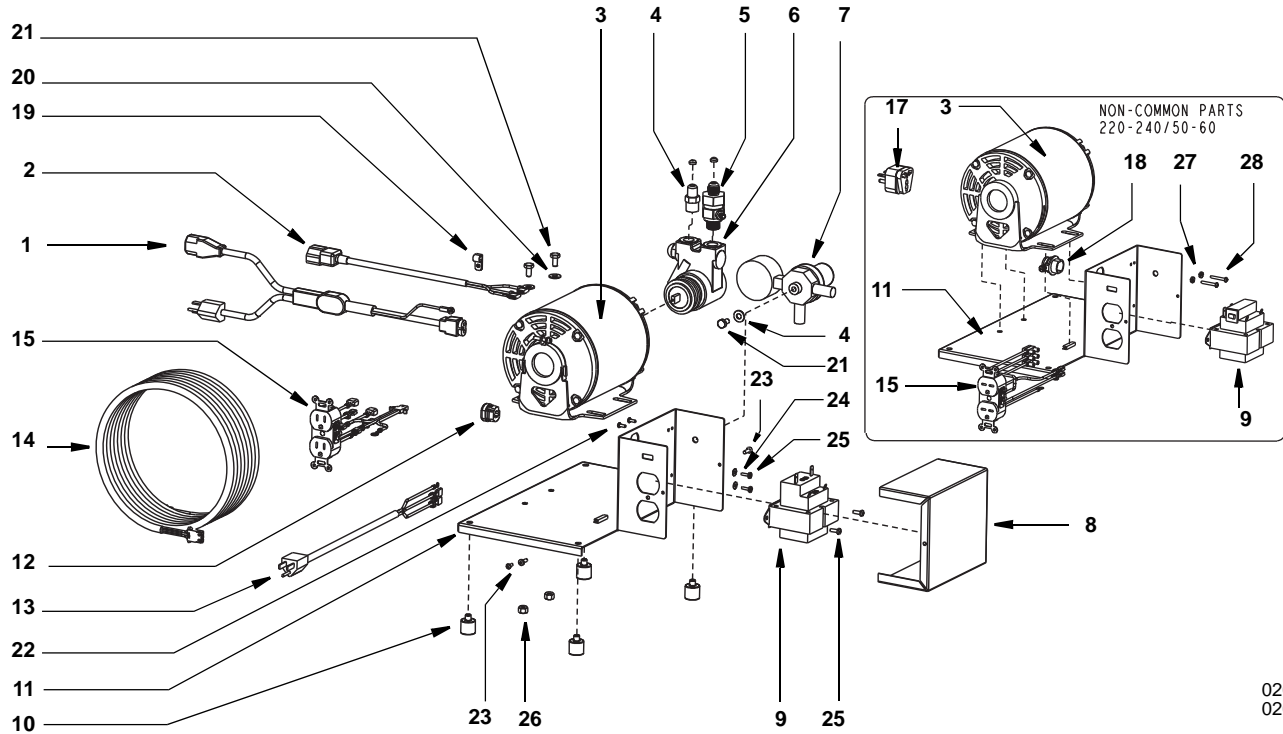
3 Probe Stud .....	09-1877
4 Probe Float Ring Assembly - 115V/220V .....	15-1951
5 Pressure Relief Valve - 125 psi with Barb .....	19-0898
6 Carbonator Single Check Valve - 1/4" Male Flare .....	00701312
7 Fitting - .125 NPT X PRV, S.S. Adapter .....	19-0934
8 Carbonator Assembly - 10" Weld .....	15-3119
9 Fitting, 1/4" Swivel Hose Barb .....	1701109
10 Insulated Domed Carb .....	5031855

### Miscellaneous - Brackets, Screw, Etc.

11 Washer, 3/8" Nylon White .....	1701115
12 Nut, 3/8" x 9/16" Swivel Fitting .....	1701110
13 Swivel Fitting, 1/4" x 3/8" Barb .....	5009025
14 Washer, 1/in. Nylon White .....	1701113
15 Nut, 1/4" x 3/8" Swivel Fttg .....	1701108



# Carbonator Pump Deck

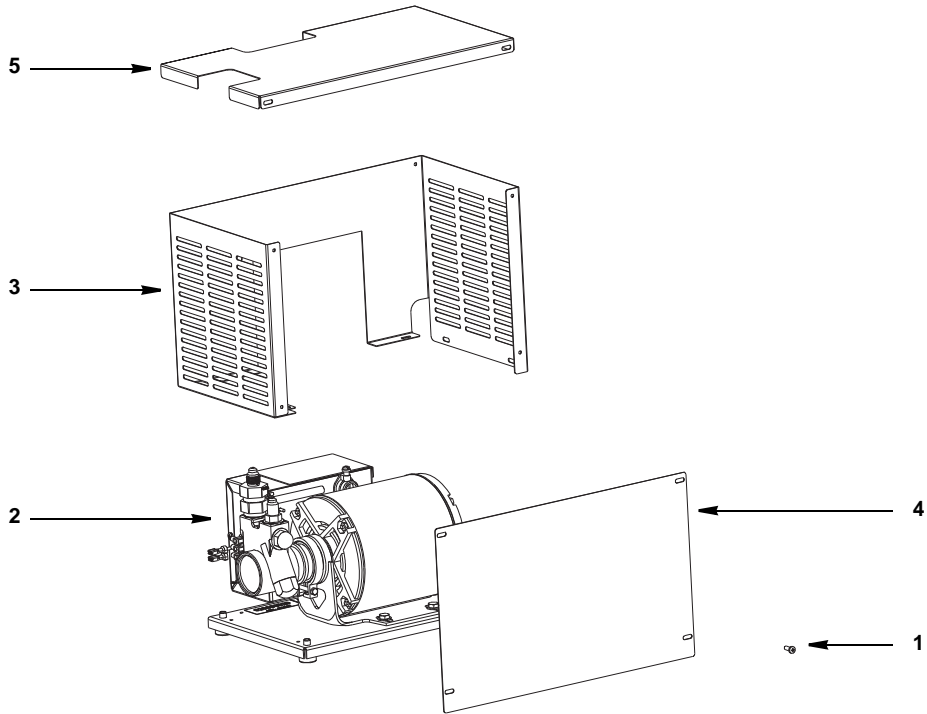


020000530  
020000529

## DESCRIPTION

	<b>PART NO.</b>
1 Harness Transf / Light 115/220 .....	020000531
2 Motor Power Cord 115V 220/240 .....	020000792
<b>3 Carb Pump Motor</b>	
a. 115V .....	5028931
b. 220V .....	5009598
4 3/8" x 3/8" NPT Fitting .....	5009984
5 ASSE 1022 Back Flow Preventer .....	19-0897
6 Carbonator Pump Head 125 GPH .....	5009613
7 Secondary CO2 Regulator with Gauge .....	5028469
8 Cover Plate .....	020000625
<b>9 Transformer</b>	
a. 12V 75VA with Breaker .....	5008229
b. 240V with Breaker .....	5007111
10 Foot .....	5014120
11 Deck Base .....	020000538
12 Heyco Strain Relief Cord Plug .....	1200301
13 Electric Cord .....	5008642
14 Jumper Valve Leads .....	5013101
<b>15 Power Harness with Receptacle</b>	
a. 115/100 .....	020000532
b. 220/240 .....	020000533
16 Transf/Light Harness 115/220 .....	020000531
17 Power Cord 220/240 .....	020000753
18 Strain Relief Cord (Europe) .....	5000836
<b>Miscellaneous - Brackets, Screw, Etc.</b>	
19 .312 Nylon Clamp .....	5013875
20 1/4" Flat SS Washer .....	0901805
21 1/4"-20 ESNA SS Bolt .....	5007377
22 6-32 x 3/8" SS PH RHMS Screw .....	0900904
23 8-32 x 1/2" Screw .....	5011940
24 #8 SS Star Washer .....	0901915
25 8-32 x 1/2" GRND Zinc Screw .....	5011936
26 1/4"-20 ESNA SS Nut .....	0902302
27 Hex Nut 6-32 SS .....	0902101
28 Screw 6-32 x 1" SS PH RHMS .....	0900901
29 Wire Tie Small (Not Shown) .....	1000421
30 Teflon Tape (Not Shown) .....	5003964
31 CRTN Deck / Short (Not Shown) .....	5012339
32 CRTN Pump Deck Set (Not Shown) .....	5012371
33 Pad Roll Up (Not Shown) .....	5029033
34 Base Pad Cut Out (Not Shown) .....	5029034
35 Wire Tie Large (Not Shown) .....	1000422
36 Label 2 Amp Max Recept (Not Shown) .....	5010172
37 Label Motor Pump 115V 60 HZ (Not Shown) .....	020001144
38 Wiring Label 115V (Not Shown) .....	020001151
39 Label CO2 Warning (Not Shown) .....	5013202
40 Label Motor Pump 220-240/50-60 (Not Shown) .....	020001145
41 Wiring Label 220V (Not Shown) .....	020001152

# Carbonator Pump Deck Enclosure



## DESCRIPTION

1	Screw 8-32 X 1/2 IN ES Form PH PN STL Zinc . . . . .	5011940
2	Pump Deck 220-240 Volt . . . . .	02000529
3	Wrap Pump Deck . . . . .	020004200
4	Panel Pump Deck Access . . . . .	020004201
5	Cover Pump Deck . . . . .	020004202